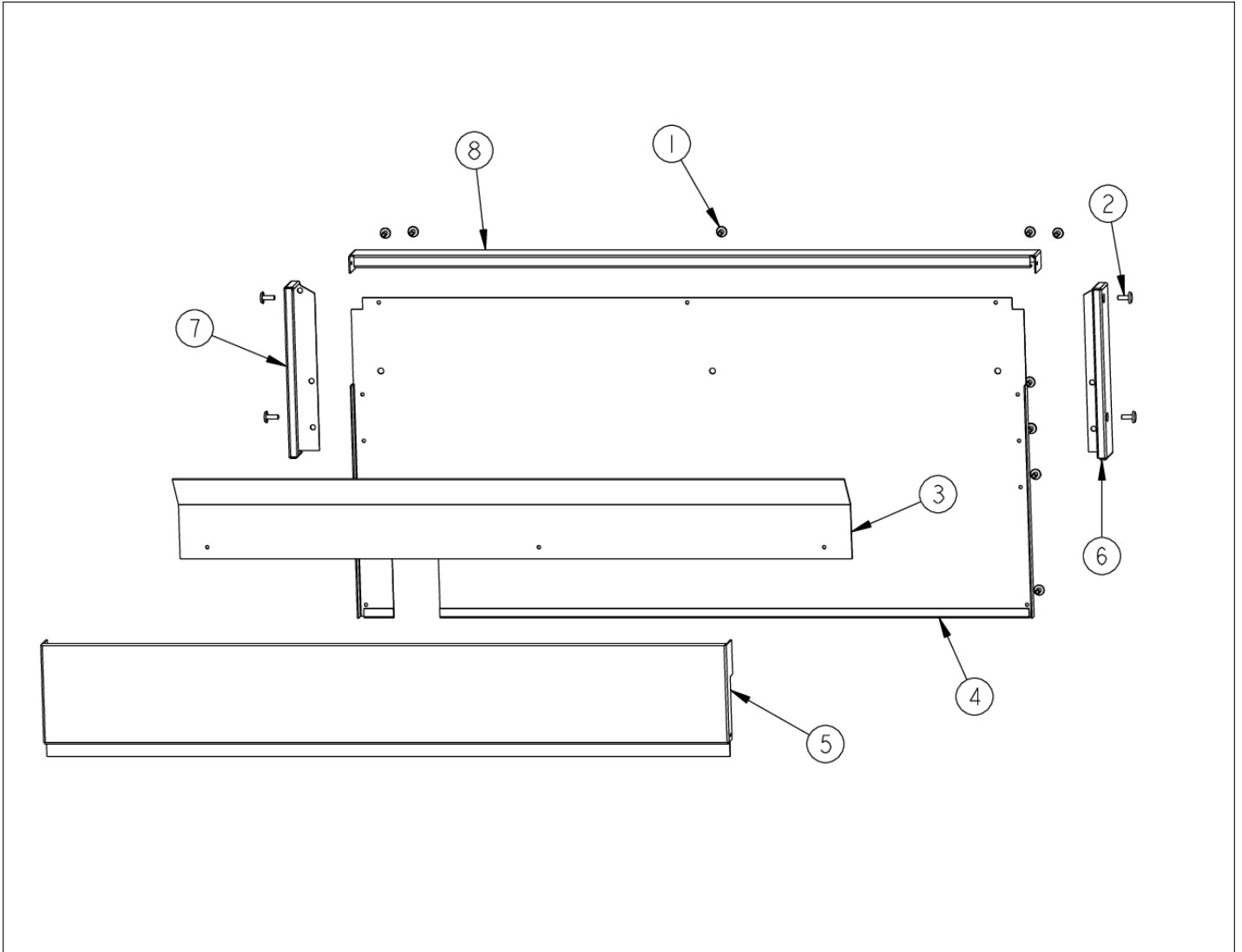


VDSC305AFTER12-01-06

BACKGUARD ASSEMBLY	1
BURNER BOX SUBASSEMBLY	2
CONTROL AREA	3
DOOR ASSEMBLY	4
DRIP TRAY	5
G4002385 WIRE HARNESS	6
IGNITER WIRE KIT	7
LOWER UNIT AREA	8
MAIN OVEN CAVITY	9
PE070811 WIRE HARNESS	10
REAR ELECTRONICS	11
REAR SHEET METAL AND FLUE AREA	12
SINGLE WIRING	13
SURFACE COOKING AREA	14
UPPER OVEN CAVITY	15
WIRE HARNESSES 1	16
WIRING DIAGRAM	17
Appendix A:Pages Index	A
Appendix B:Parts Index	B

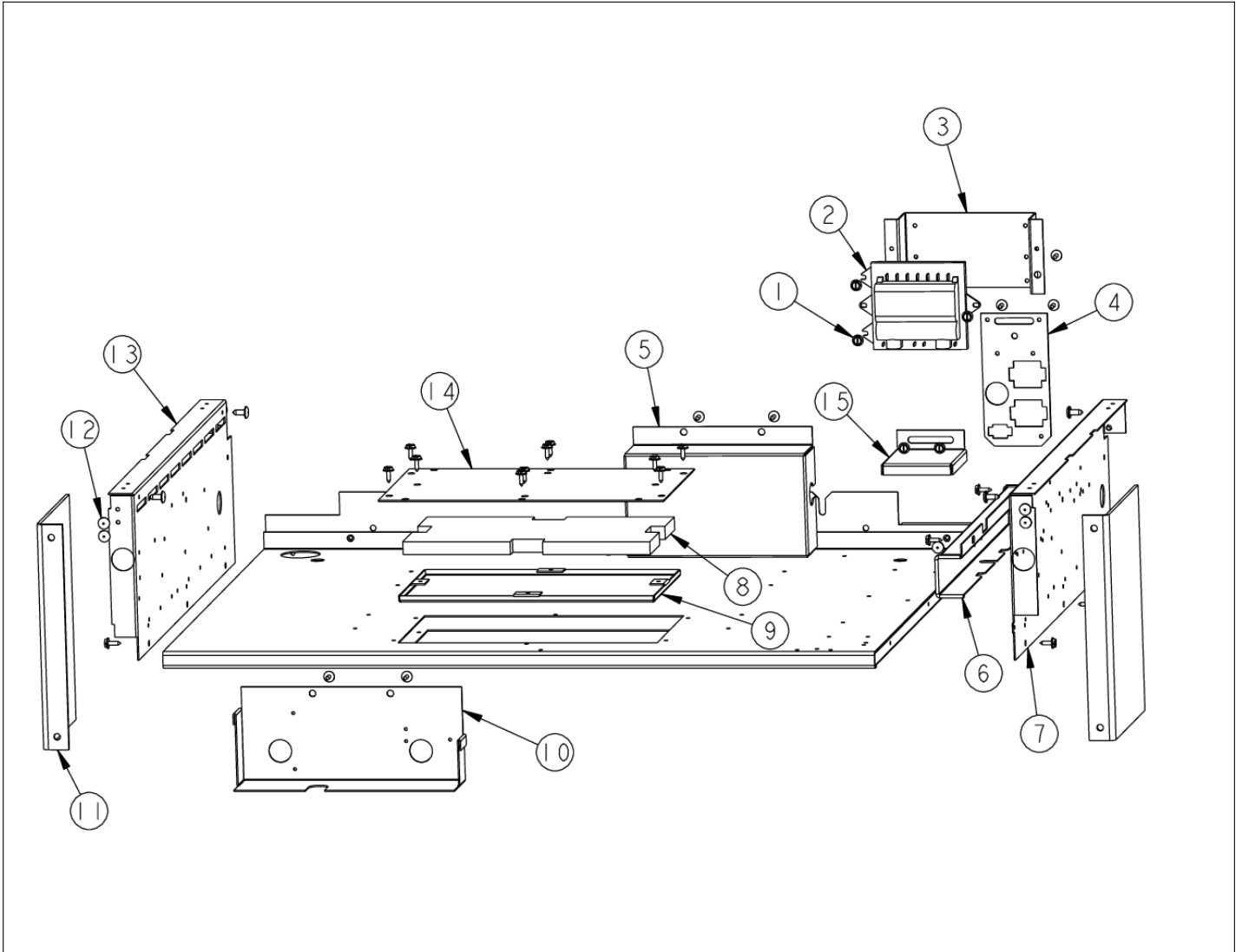
BACKGUARD ASSEMBLY





Item	Part No.	Name	Qty	Uom	NOTES
1	PD020002	10 X 1/2 PH.TR.HD.SMS.	1	EA	
2	PD020033	SRW #10-24 X 1/2" T (23) PH WFR HD (NKL)	1	EA	
3	B2001905	VENT BAFFLE-30" (VGRT)	1	EA	
4	A2001799	BACKGUARD BACK (6") VGRT30	1	EA	
5	B2001790	BACKGUARD FRONT 6" (VGRT- 30)	1	EA	Not available online / Call for pricing and availability
6	B3001775	BACKGUARD END CAP - RH (VGRT-6")	1	EA	
7	B3001776	BACKGUARD END CAP - LH (VGRT-6")	1	EA	
8	B2001782	BACKGUARD TOP (VGRT30)	1	EA	

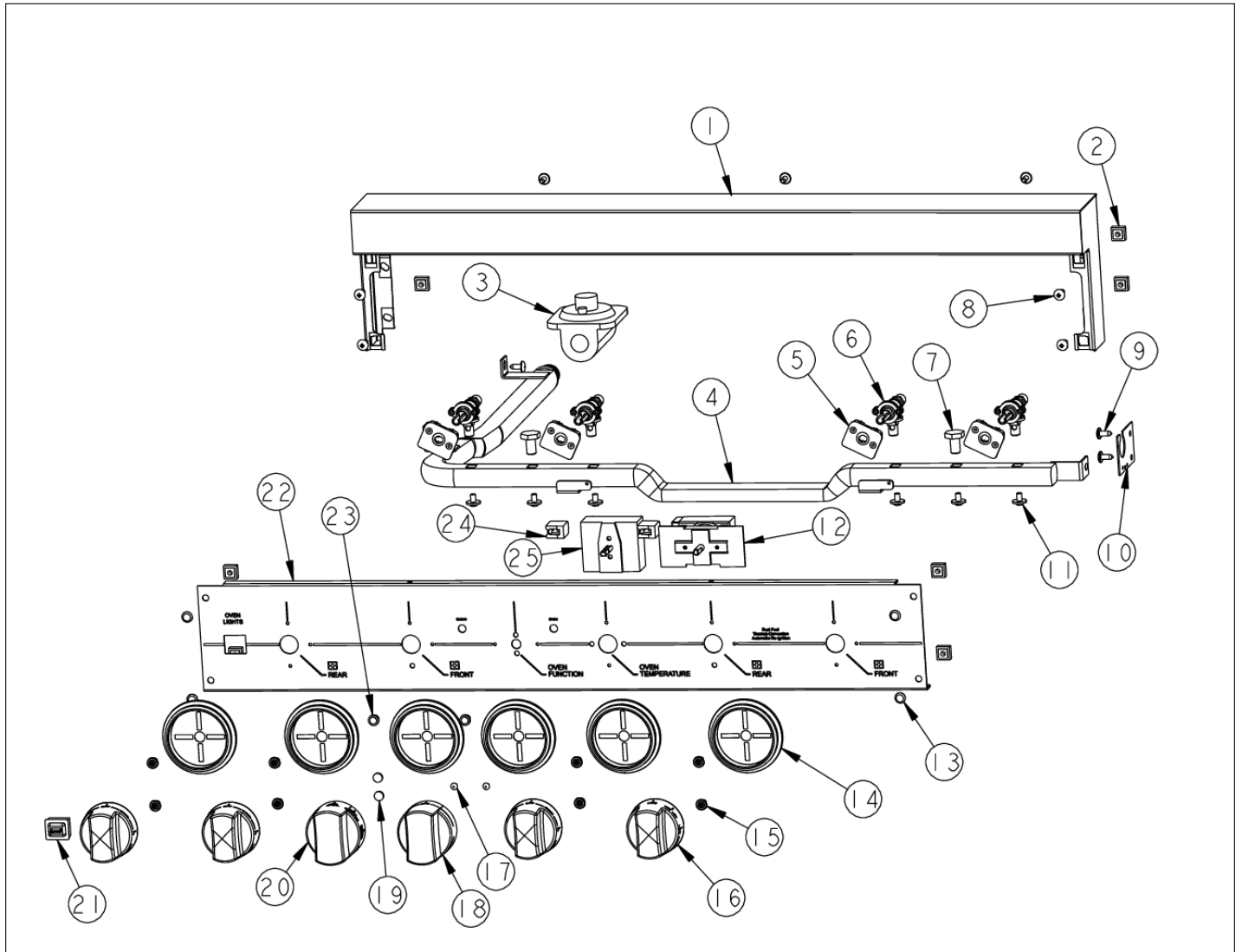
BURNER BOX SUBASSEMBLY



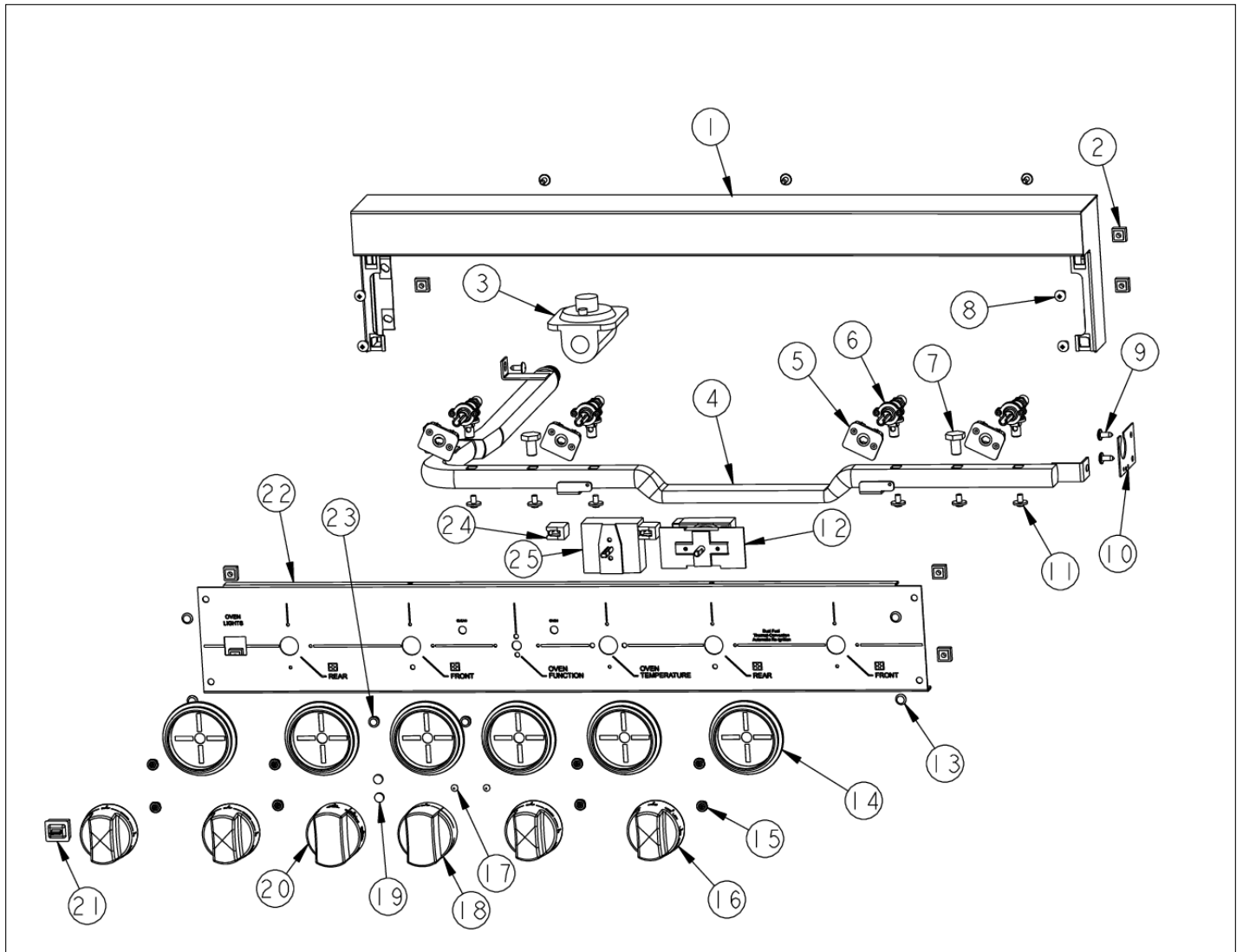


Item	Part No.	Name	Qty	Uom	NOTES
1	PD020003	#10 X 1/2 T(A) HEX WASHER HEAD	1	EA	
2	PA020047	INVENSYS 0+4 RE-IGNITION SPARK MODULE	1	EA	
3	A2002493	SPARK MODULE PLATE (VDSC)	1	EA	NO LONGER AVAILABLE
4	A10016219	TERMINAL BLOCK BRACKET	1	EA	NO LONGER AVAILABLE, Not available online / Call for pricing and availability
5	A20016218	CONTROL PANEL ELECTRIC SHIELD COVER	1	EA	NO LONGER AVAILABLE, Not available online / Call for pricing and availability
6	A2000210	WIRE CHANNEL	1	EA	NO LONGER AVAILABLE, Not available online / Call for pricing and availability
7	A2002490	BURNER BOX SIDE RH (VDSC)	1	EA	NO LONGER AVAILABLE
8	PB070268	DOOR LOCK BOX INSULATION	1	EA	NO LONGER AVAILABLE
9	A20011246	VDSC487 DOOR LOCK INSUL. BOX	1	EA	NO LONGER AVAILABLE, Not available online / Call for pricing and availability
10	A2002323	CTRL PAN ELECT. SHIELD (VDSC)	1	EA	
11	J2002593	Oven Side Heat Sink	1	EA	Not available online / Call for pricing and availability
12	PD020002	10 X 1/2 PH.TR.HD.SMS.	1	EA	
13	A2002491	BURNER BOX SIDE LH (VDSC)	1	EA	NO LONGER AVAILABLE, Not available online / Call for pricing and availability
14	A1006344	DOOR LOCK ACCESS PANEL 48"	1	EA	NO LONGER AVAILABLE
15	A20015430	OUTLET SHIELD	1	EA	Not available online / Call for pricing and availability

CONTROL AREA



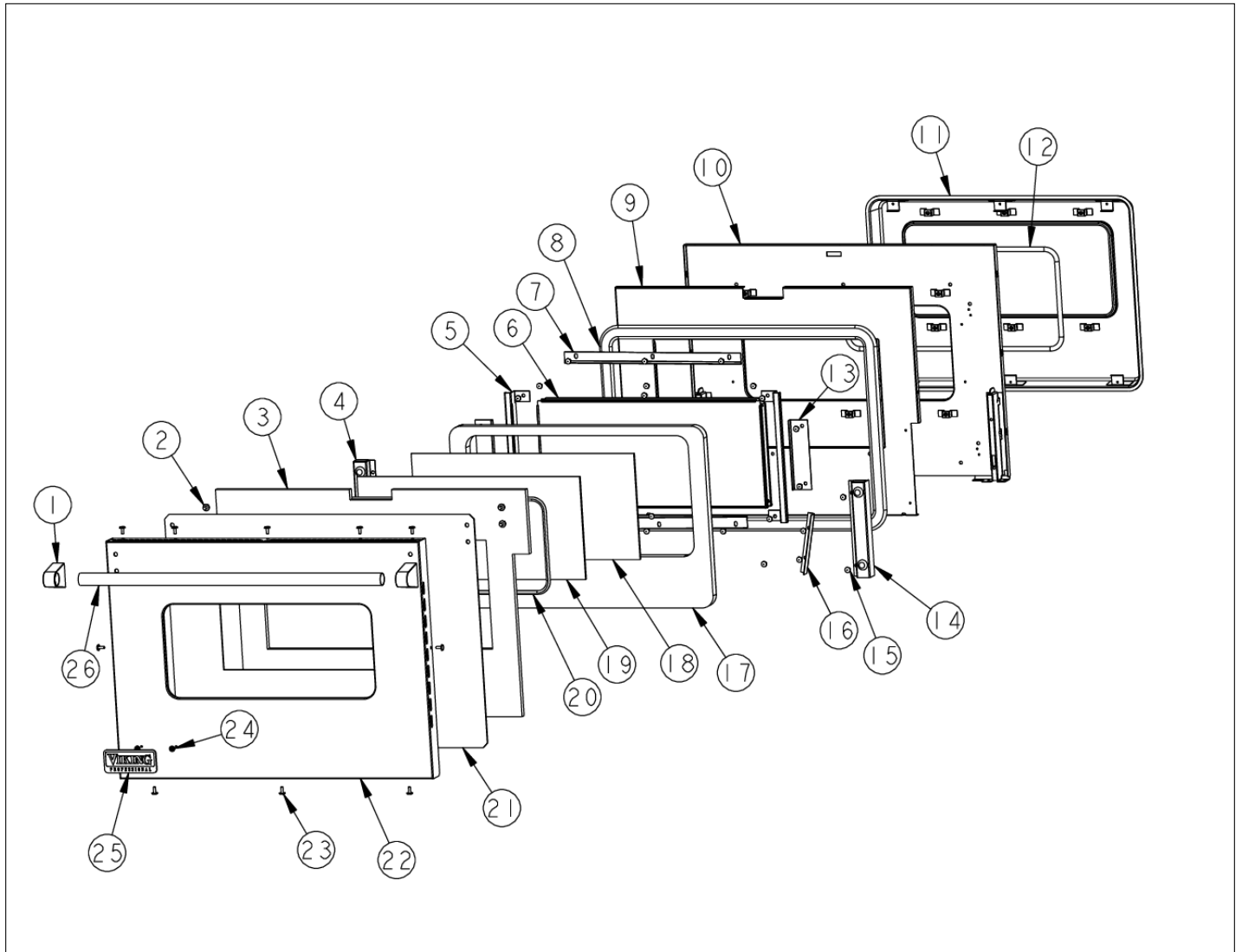
Item	Part No.	Name	Qty	Uom	NOTES
1	G3001406	LANDING LEDGE ASSY - NLA	1	EA	
2	PD030005	SELF RETAINING NUT	1	EA	
3	PA070003	PRESSURE REGULATOR (NAT.)	1	EA	
4	002156-000	30" UNIVERSAL MANIFOLD	1	EA	
5	PA020045	Spark Ignition Switch	1	EA	
6	003515-000	PA010157 VALVE AND BOLT KIT	1	EA	
7	PA010012	ROPER PLUG	1	EA	
8	PD010003	10-24 X 1/2 PH.TR.HD.SERD.M.S.	1	EA	
9	PD020002	10 X 1/2 PH.TR.HD.SMS.	1	EA	
10	A1001138	MANIFOLD BRKT	1	EA	NO LONGER AVAILABLE, Not available online / Call for pricing and availability
11	PD010012	VALVE BOLT 1/4-20 UNC-2B 5/16" M.S.	1	EA	
12	PS500033	SUB TO PS500033 - SELF CLEAN THERMOSTAT	1	EA	
13	PD020032	SRW-8(A)X3/8"PH.WFR HD 7/16DIA*NICL	1	EA	
14	050172-000	BEZEL, KNOB	1	EA	
Not Shown	PB010209	Bezel - BR	1	EA	
15	PD020046	#8 X 1/2 SCREWS	1	EA	
16	PB010206	TOP BURNER KNOB BK	1	EA	
Not Shown	PB010207	TOP BURNER KNOB WH	1	EA	Not available online / Call for pricing and availability
17	PD020006	' #6-32 X 1/4" PH.PAN HD. T(F)	1	EA	
18	PB010129	THERMOSTAT KNOB *BK* (VDSC)	1	EA	
Not Shown	PB010130	THERMOSTAT KNOB *WH* (VDSC)	1	EA	
19	PD020044	#8-32 X 1/4" PH. TR. HD. M.S.	1	EA	
20	PB010230	OVEN SELECT. KNOB*BK* VDSC307	1	EA	
Not Shown	PB010231	OVEN SELECT. KNOB*WH* VDSC307	1	EA	





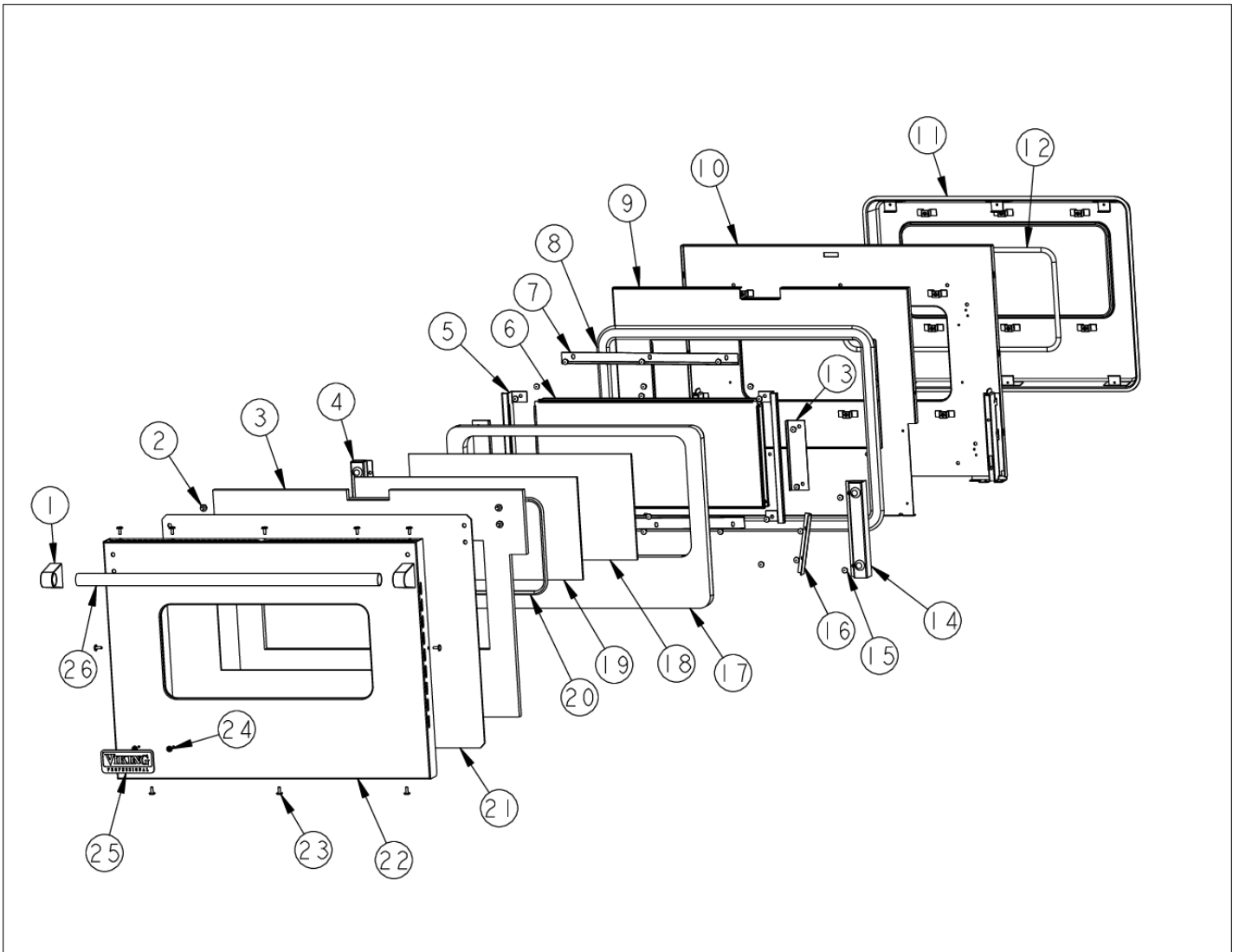
Item	Part No.	Name	Qty	Uom	NOTES
21	PE050016	OVEN LIGHT SWITCH - *BK* (WES-GAR)	1	EA	
Not Shown	PE050017	OVEN LIGHT SWITCH - *WH* (WES-GAR)	1	EA	
22	B92010453	CONTROL PANEL -VDSC30"	1	EA	
<p>Comments for Part Num. B92010453</p> <p>JREXEC02@AOL.COM on Jul 16, 2015 what is the price?</p>					
23	PE050023	OVEN IND. LIGHT (LENS & BEZEL)	1	EA	
24	PE050024	OVEN IND. LIGHT (LIGHT HOUSING)	1	EA	
<p>Comments for Part Num. PE050024</p> <p>haarnink@vikingrange.com on Jan 14, 2019 please note that the indicator light is now part 043135-000 but needs the Jumper harness 051443-000. and second option there are units in the field with a 230V indicator light part number 036566-000.</p> <p>please check this for all "E" module ranges/Tops</p>					
25	PJ030001	SELECTOR SWITCH (8-POSITION) VDSC	1	EA	

DOOR ASSEMBLY



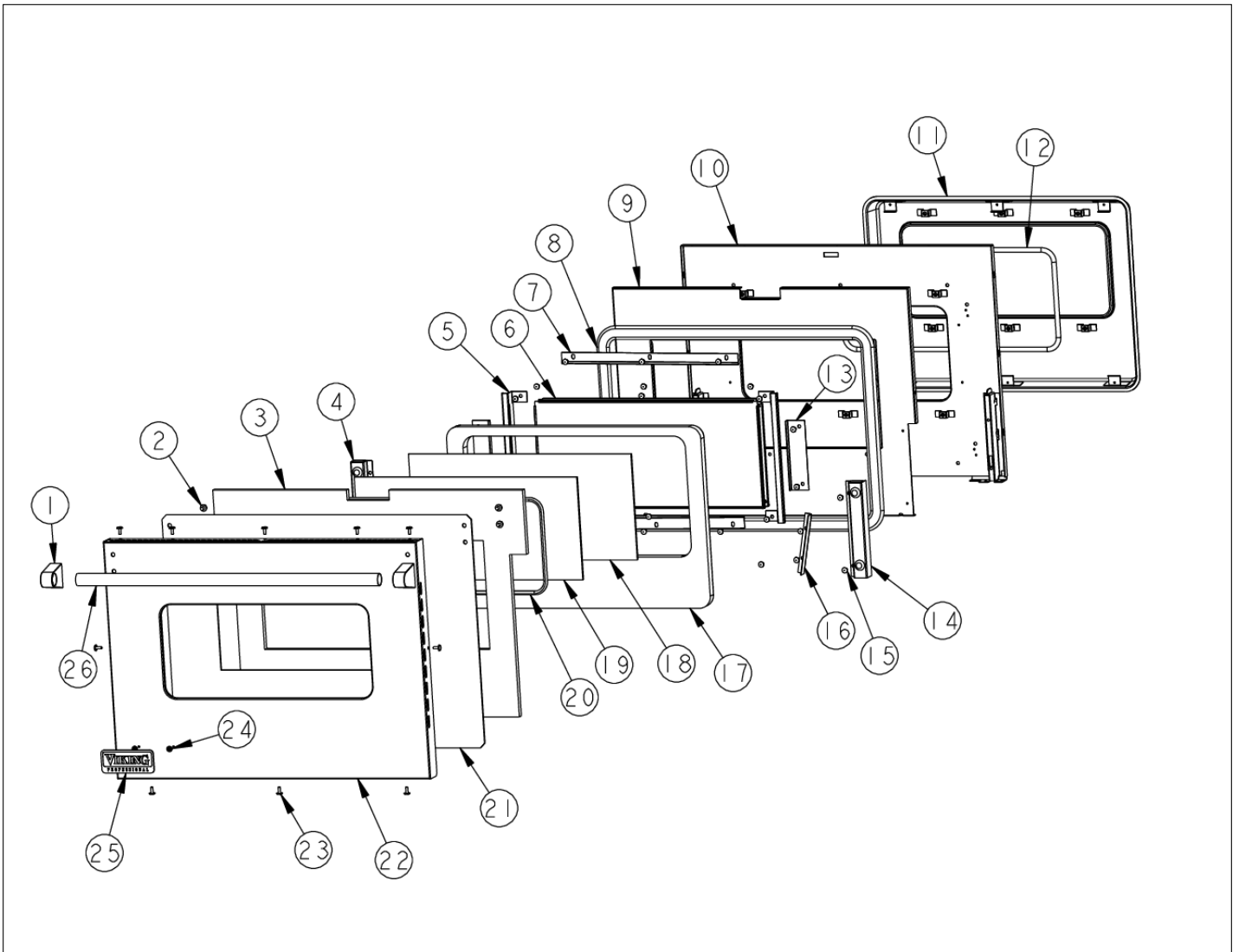


Item	Part No.	Name	Qty	Uom	NOTES
1	000268-000	HANDLE ENDCAP	1	EA	
Not Shown	PE030001PVD	END CAP DOOR HANDLE *BR	1	EA	
2	PD010019	BLT-1/4-20X3/8"HEX WASHER SERATED	1	EA	
3	PB070145	SUPERWOOL 5" X 24" X 3'	1	EA	
4	A2002499	HINGE POCKET COVER LH	1	EA	
5	A2002367	DOOR GLASS BRKT	1	EA	
6	PE060064	WINDOW PACK, SELF CLEANING OVEN 30"	1	EA	
7	A2007943	GLASSPACK BRACKET, LARGE	1	EA	
8	000623-000	DOOR GASKET(3/8"DIA.) (VDSC)	1	EA	
9	A2002169	DOOR INSULATION RETAINER (VDSC30)	1	EA	
10	G9102747	DR LINER ASY(VDSC30/48)REP H9102173	1	EA	
11	G9102745	DR PG ASSY VDSC30/48" RE H9102175 (Before 12/20/2012)	1	EA	
12	000594-000	BLACK FIBERGLASS ROPE 3/8	1	EA	
13	A2002189	DOOR GLASS STANDOFF (VDSC)	1	EA	
14	A2002498	HINGE POCKET COVER RH	1	EA	
15	PD020002	10 X 1/2 PH.TR.HD.SMS.	1	EA	
16	A2002497	DOOR GUIDE ANGLE VDSC	1	EA	
17	PB070076	WOOL INSULATION 1" X 21" X 3'	1	EA	
18	PE060039	GLASS-HEAT TREATED (HB2) VDSC	1	EA	
19	PE060030	OUTER DOOR GLASS	1	EA	
20	PE060031	J-MOLD (LARGE WINDOW)	1	EA	
Not Shown	PE060045	J-MOLD (LARGE WINDOW) *BR*	1	EA	
21	J1002594	OVEN DR HEAT SINK (VDSC30)	1	EA	
22	B2002188	O/S DOOR PANEL *SS* (VDSC30)	1	EA	
Not Shown	C9002188AL	O/S DOOR PANEL-*AL* (VDSC30)	1	EA	NO LONGER AVAILABLE, Not available online / Call for pricing and availability



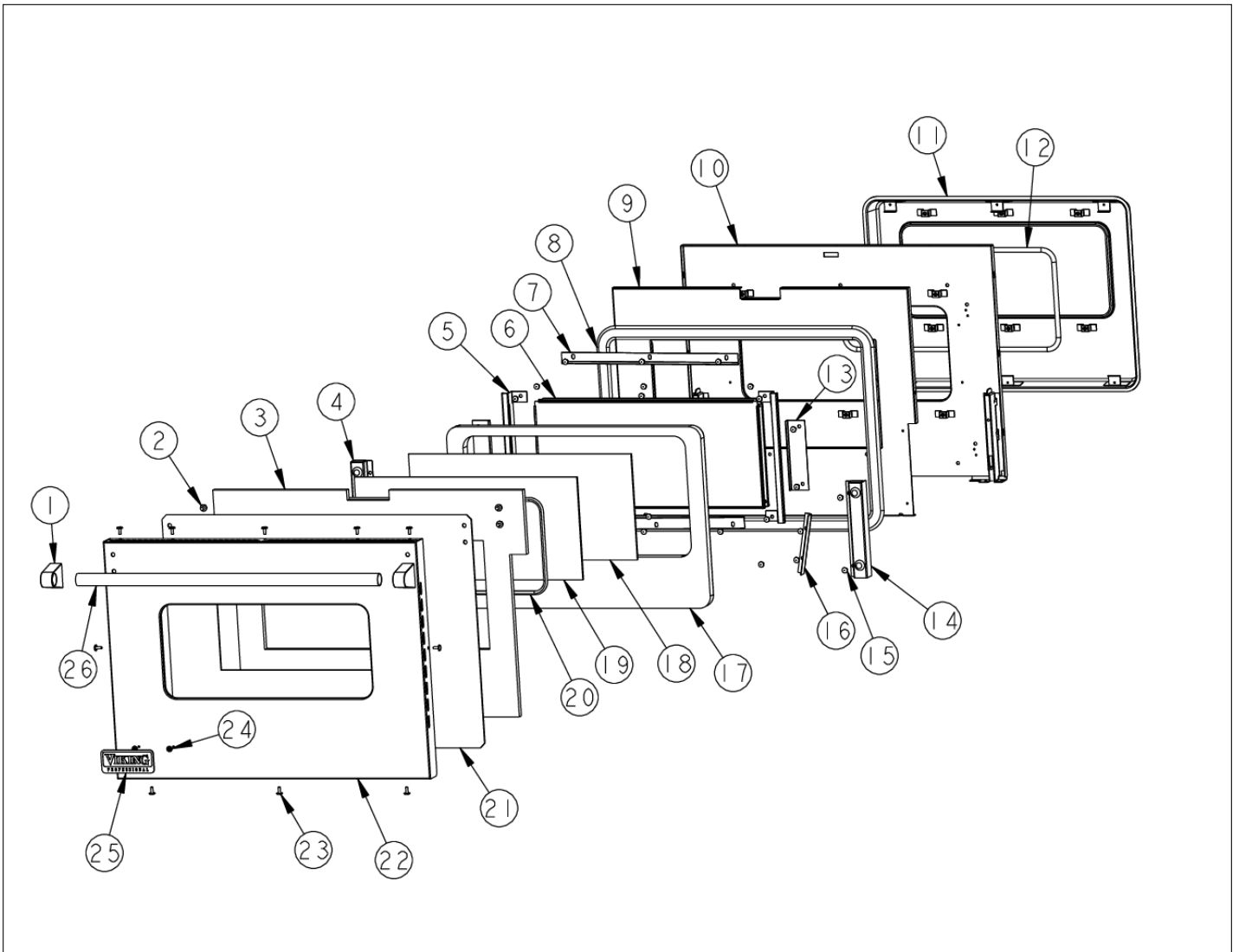


Item	Part No.	Name	Qty	Uom	NOTES
Not Shown	C9002188BK	O/S DOOR PANEL-*BK* (VDSC30)	1	EA	
Not Shown	C9002188BT	O/S DOOR PANEL-*BT* (VDSC30)	1	EA	NO LONGER AVAILABLE, Not available online / Call for pricing and availability
Not Shown	C9002188BU	O/S DOOR PANEL-*BU* (VDSC30)	1	EA	Not available online / Call for pricing and availability
Not Shown	C9002188CB	O/S DOOR PANEL-*CB* (VDSC30)	1	EA	NO LONGER AVAILABLE
Not Shown	C9002188EP	O/S DOOR PANEL-*EP* (VDSC30)	1	EA	NO LONGER AVAILABLE, Not available online / Call for pricing and availability
Not Shown	C9002188FG	O/S DOOR PANEL-*FG* (VDSC30)	1	EA	NO LONGER AVAILABLE, Not available online / Call for pricing and availability
Not Shown	C9002188GG	O/S DOOR PANEL-*GG* (VDSC30)	1	EA	
Not Shown	C9002188LE	O/S DOOR PANEL-*LE* (VDSC30)	1	EA	NO LONGER AVAILABLE, Not available online / Call for pricing and availability
Not Shown	C9002188MJ	O/S DOOR PANEL-*MJ* (VDSC30)	1	EA	NO LONGER AVAILABLE, Not available online / Call for pricing and availability
Not Shown	C9002188SG	O/S DOOR PANEL-*SG* (VDSC30)	1	EA	NO LONGER AVAILABLE, Not available online / Call for pricing and availability
Not Shown	C9002188VB	O/S DOOR PANEL-*VB* (VDSC30)	1	EA	NO LONGER AVAILABLE
Not Shown	C9002188WH	O/S DOOR PANEL-*WH* (VDSC30)	1	EA	
23	PD020033	SRW #10-24 X 1/2" T (23) PH WFR HD (NKL)	1	EA	
24	PD030006	CAPPED WASHER PAL NUT	1	EA	
25	PE010016	LOGO (ALL RANGES) *BK/CHR 307997W	1	EA	

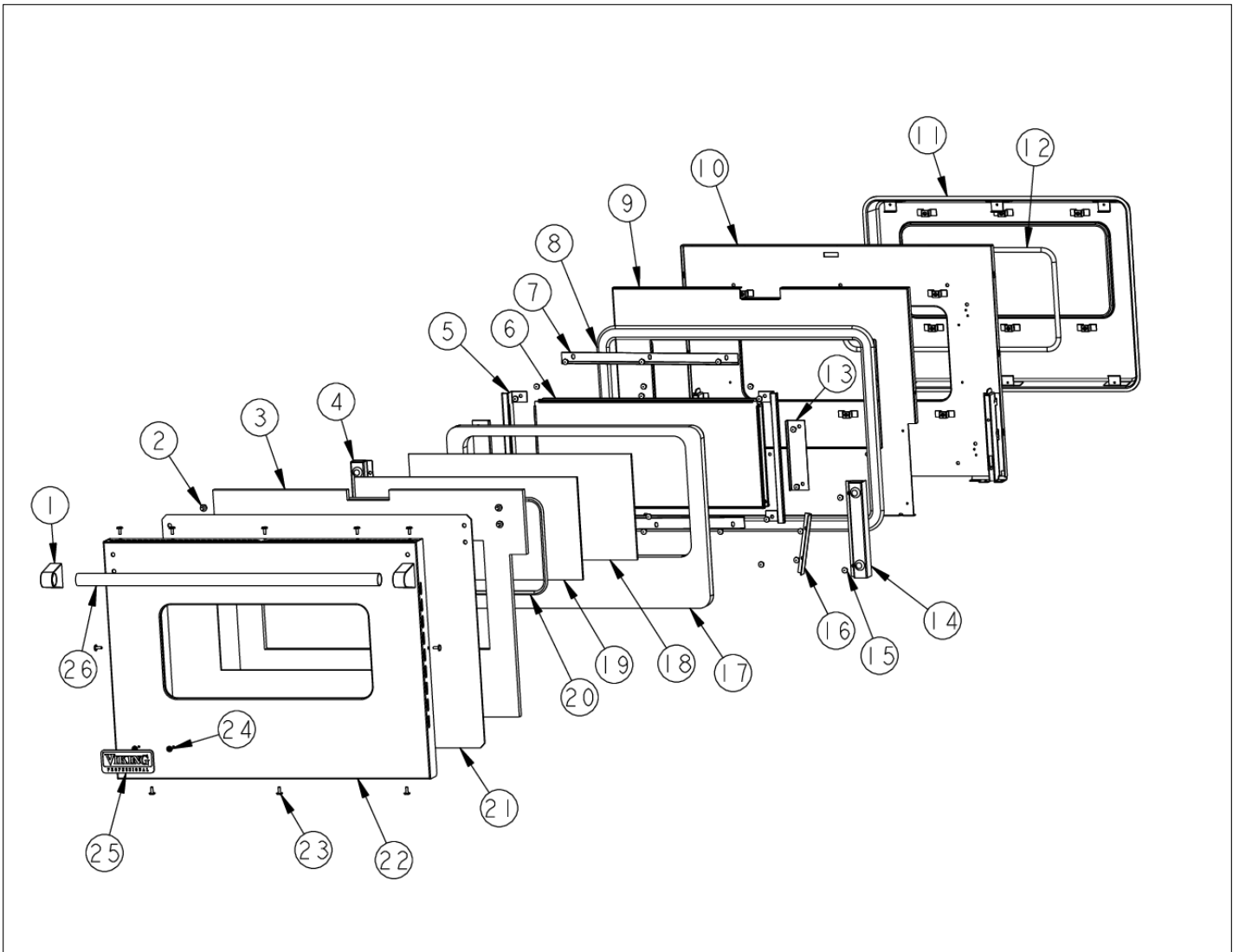




Item	Part No.	Name	Qty	Uom	NOTES
Not Shown	PE010017	LOGO (VGSO,VEDO,VGDO,VUD) *WH/CHR	1	EA	
Not Shown	PE010079	4.5" LOGO/VIKING PROF *BK/BR	1	EA	
Not Shown	PE010080	4.5" LOGO/VIKING PROF *WH/BR	1	EA	
26	PE030005	DOOR HANDLE - VGSC30/RC60/RC48RH	1	EA	
Not Shown	PE030012PVD	DOOR HANDLE - RH - (30"/48") PVD	1	EA	
NI	G3202172AL	DOOR SUB-ASSY-*AL* (VDSC30)	1	EA	NO LONGER AVAILABLE, Not available online / Call for pricing and availability
Not Shown	G3202172ALBR	DOOR SUB-ASSY-*AL**BR* VDSC30	1	EA	NO LONGER AVAILABLE, Not available online / Call for pricing and availability
Not Shown	G3202172BK	DOOR SUB-ASSY-*BK* (VDSC30)	1	EA	NO LONGER AVAILABLE
Not Shown	G3202172BKBR	DOOR SUB-ASSY-*BK**BR* (VDSC30)	1	EA	NO LONGER AVAILABLE, Not available online / Call for pricing and availability
Not Shown	G3202172BT	DOOR SUB-ASSY-*BT* (VDSC30)	1	EA	NO LONGER AVAILABLE, Not available online / Call for pricing and availability
Not Shown	G3202172BTBR	COMPLETE DOOR ASSY. - BTBR	1	EA	Not available online / Call for pricing and availability
Not Shown	G3202172BU	DOOR SUB-ASSY-*BU* (VDSC30)	1	EA	NO LONGER AVAILABLE, Not available online / Call for pricing and availability
Not Shown	G3202172BUBR	DOOR SUB-ASSY-*BU**BR* (VDSC30)	1	EA	NO LONGER AVAILABLE, Not available online / Call for pricing and availability
Not Shown	G3202172CB	DOOR SUB-ASSY-*CB* (VDSC30)	1	EA	NO LONGER AVAILABLE, Not available online / Call for pricing and availability



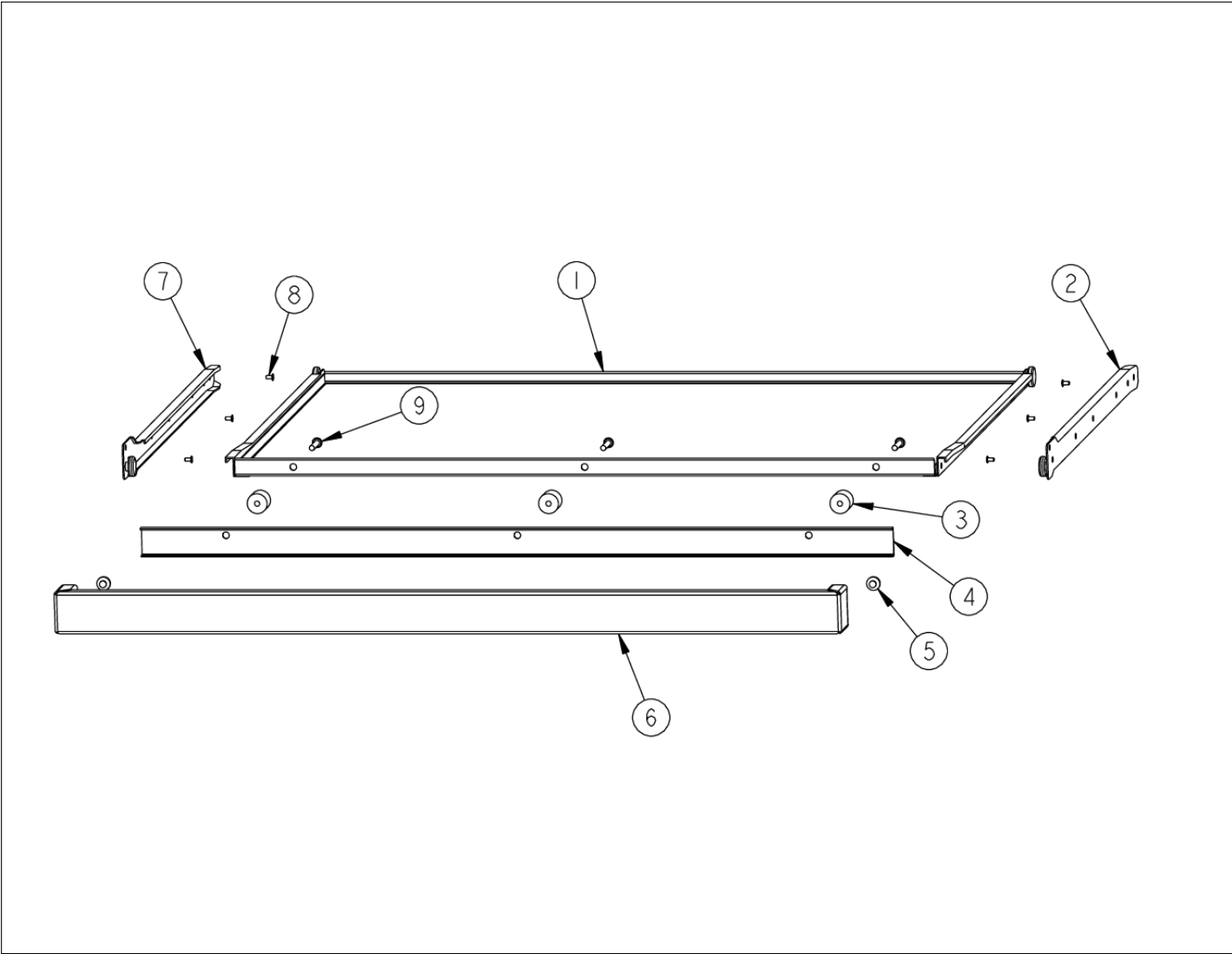
Item	Part No.	Name	Qty	Uom	NOTES
Not Shown	G3202172CBBR	COMPLETE DOOR ASSY. - CBBR	1	EA	Not available online / Call for pricing and availability
Not Shown	G3202172EP	DOOR SUB-ASSY- *EP*(VDSC30)	1	EA	NO LONGER AVAILABLE
Not Shown	G3202172EPBR	COMPLETE DOOR ASSY. - EPBR	1	EA	Not available online / Call for pricing and availability
Not Shown	G3202172FG	DOOR SUB-ASSY-*FG* (VDSC30)	1	EA	NO LONGER AVAILABLE, Not available online / Call for pricing and availability
Not Shown	G3202172FGBR	DOOR SUB-ASSY-*FG**BR* (VDSC30)	1	EA	NO LONGER AVAILABLE, Not available online / Call for pricing and availability
Not Shown	G3202172GG	DOOR SUB-ASSY-*GG* (VDSC30)	1	EA	NO LONGER AVAILABLE, Not available online / Call for pricing and availability
Not Shown	G3202172GGBR	COMPLETE DOOR ASSY. - GGBR	1	EA	Not available online / Call for pricing and availability
Not Shown	G3202172LE	DOOR SUB-ASSY-LE* (VDSC30)	1	EA	NO LONGER AVAILABLE, Not available online / Call for pricing and availability
Not Shown	G3202172LEBR	COMPLETE DOOR ASSY. - LEBR	1	EA	Not available online / Call for pricing and availability
Not Shown	G3202172MJ	DOOR SUB-ASSY-*MJ* (VDSC30)	1	EA	NO LONGER AVAILABLE, Not available online / Call for pricing and availability
Not Shown	G3202172MJBR	COMPLETE DOOR ASSY. - MJBR	1	EA	Not available online / Call for pricing and availability
Not Shown	G3202172SG	DOOR SUB-ASSY-*SG* (VDSC30)	1	EA	NO LONGER AVAILABLE
Not Shown	G3202172SGBR	COMPLETE DOOR ASSY. - SGBR	1	EA	Not available online / Call for pricing and availability





Item	Part No.	Name	Qty	Uom	NOTES
Not Shown	G3209181SS	DOOR ASSY 30" *SS*	1	EA	
Not Shown	G3209181SSBR	COMPLETE DOOR ASSY. - SSBR	1	EA	Not available online / Call for pricing and availability
Not Shown	G3202172VB	DOOR SUB-ASSY-*VB* (VDSC30)	1	EA	NO LONGER AVAILABLE, Not available online / Call for pricing and availability
Not Shown	G3202172VBBR	DOOR SUB-ASSY-*VB**BR* (VDSC30)	1	EA	NO LONGER AVAILABLE, Not available online / Call for pricing and availability
Not Shown	G3202172WH	DOOR SUB-ASSY-*WH* (VDSC30)	1	EA	

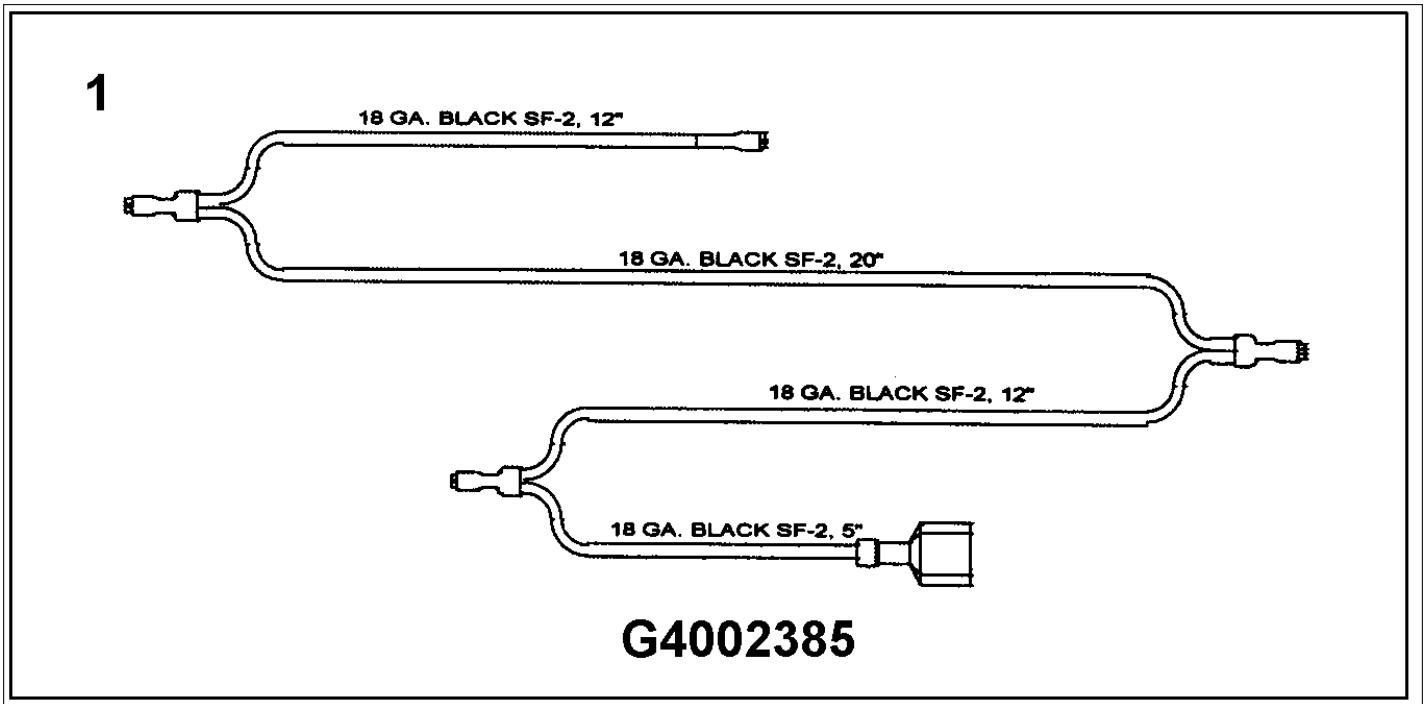
DRIP TRAY





Item	Part No.	Name	Qty	Uom	NOTES
1	G30010454	30" DRIP TRAY ASSY, NLA	1	EA	
2	PK000008	Drip Tray Guide - RH	1	EA	NO LONGER AVAILABLE
3	PD040028	BUSHING(.194ID/.750OD/.750L ONG)	1	EA	
4	A20010691	DRIP TRAY HANDLE BACK 30"	1	EA	NO LONGER AVAILABLE
5	PD040004	GROMMET BUMPER	1	EA	
6	G30010695	DRIP TRAY HANDLE ASSY 30"	1	EA	
Not Shown	G93011458PVD	DRIP TRAY HANDLE ASSY 30" PVD	1	EA	Not available online / Call for pricing and availability
7	PK000007	DRIP TRAY GUIDE - LH (VGRT)	1	EA	NO LONGER AVAILABLE
8	PC040010	POP RIVET (.063/GR -.125) GAMD42-A	1	EA	
9	PD020079	#10 X 1 1/4 PH. PAN HD. T(A) NYLOK	1	EA	

G4002385 WIRE HARNESS



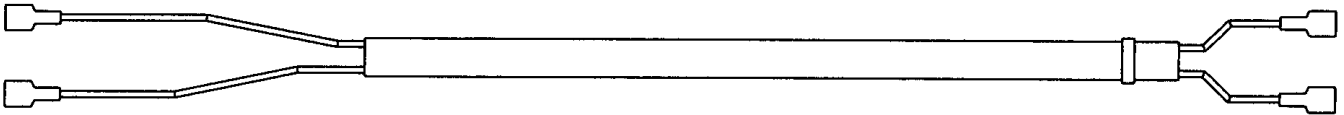


Item	Part No.	Name	Qty	Uom	NOTES
1	G4002385	WIRE HARNESS-SPARK SWITCHES (VDSC30	1	EA	

IGNITER WIRE KIT

1

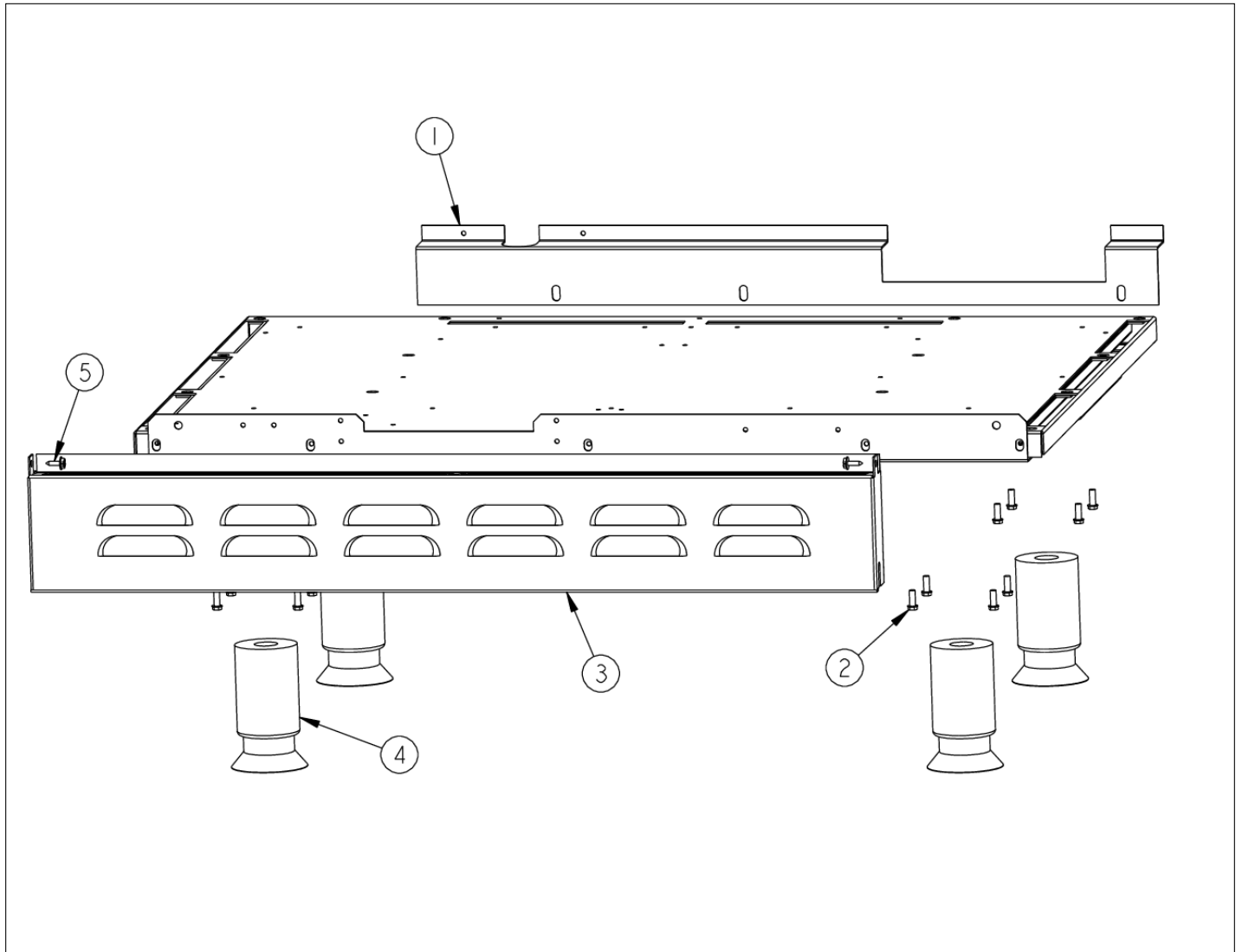
NOTE: EACH "KIT" WILL CONTAIN SEVERAL SETS OF IGNITOR WIRES (AS SHOWN BELOW). THESE SHOULD BE BUNDLED TOGETHER WITH TAPE & LABELED WITH THE KIT PURC. # , AND THE MODEL USAGE #.





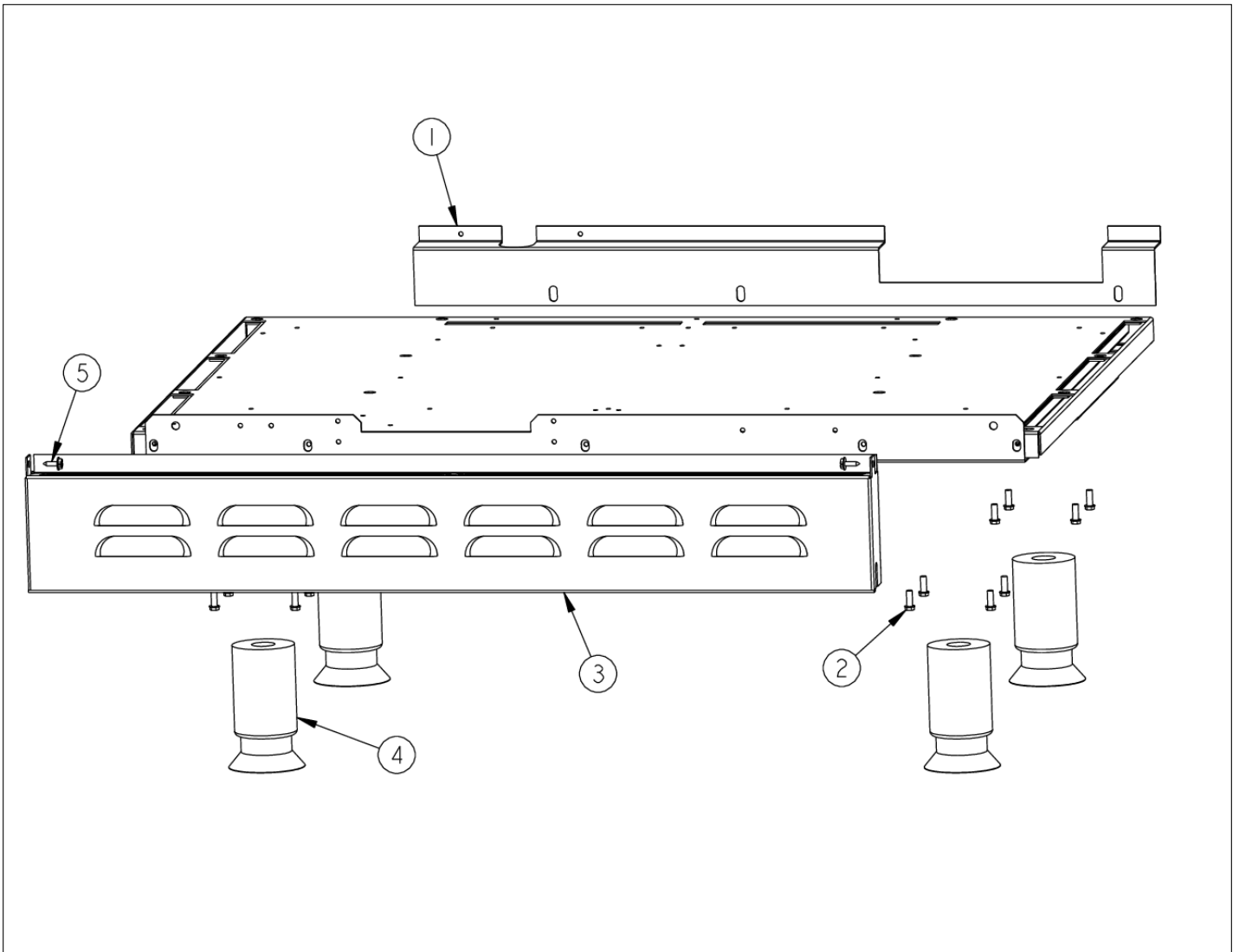
Item	Part No.	Name	Qty	Uom	NOTES
1	PE070713	IGNITOR WIRE KIT - VGIC/VDSC/VGSC307	1	EA	

LOWER UNIT AREA





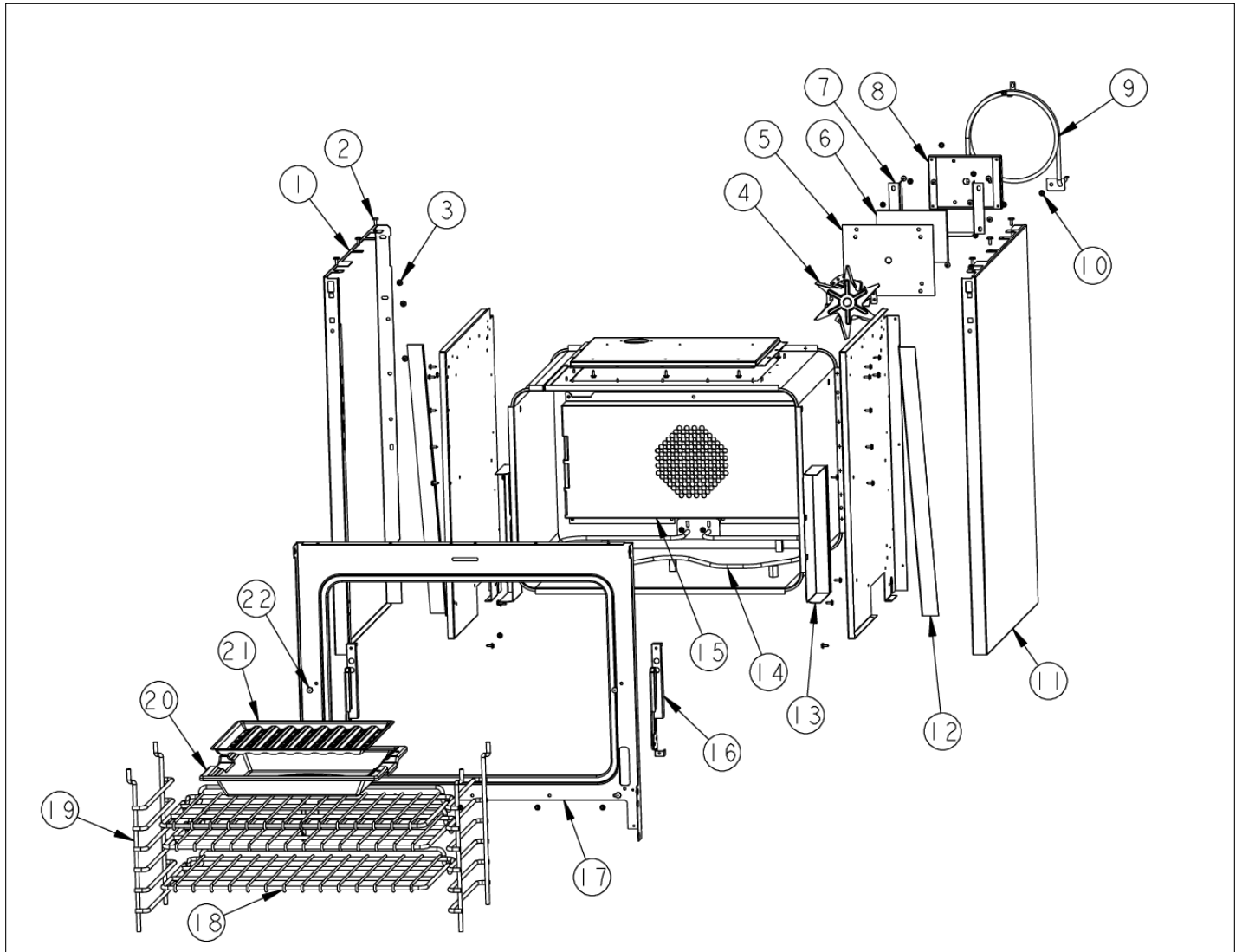
Item	Part No.	Name	Qty	Uom	NOTES
1	A2004294	LOWER BACK COVER (VDSC305)	1	EA	NO LONGER AVAILABLE
2	PD020060	10 X 1/2" (5/16)HEX WSHER HD.(T)A	1	EA	
3	B2001815	LOWER ACC PAN - (VGRC605)	1	EA	
Not Shown	C9001815AL	LOWER ACC PAN - *AL* (VGRC605)	1	EA	Not available online / Call for pricing and availability
Not Shown	C9001815BK	LOWER ACC PAN - *BK* (VGRC605)	1	EA	
Not Shown	C9001815BT	LOWER ACC PAN - *BT* (VGRC605)	1	EA	NO LONGER AVAILABLE
Not Shown	C9001815BU	LOWER ACC PAN - *BU* (VGRC605)	1	EA	Not available online / Call for pricing and availability
Not Shown	C9001815CB	LOWER ACC PAN - *CB* (VGRC605)	1	EA	Not available online / Call for pricing and availability
Not Shown	C9001815EP	LOWER ACC PAN - *EP* (VGRC605)	1	EA	NO LONGER AVAILABLE, Not available online / Call for pricing and availability
Not Shown	C9001815FG	LOWER ACC PAN - *FG* (VGRC605)	1	EA	NO LONGER AVAILABLE, Not available online / Call for pricing and availability
Not Shown	C9001815GG	LOWER ACC PAN - *GG* (VGRC605)	1	EA	NO LONGER AVAILABLE
Not Shown	C9001815LE	LOWER ACC PAN - *LE* (VGRC605)	1	EA	NO LONGER AVAILABLE
Not Shown	C9001815MJ	LOWER ACC PAN - *MJ* (VGRC605)	1	EA	NO LONGER AVAILABLE, Not available online / Call for pricing and availability
Not Shown	C9001815SG	LOWER ACC PAN - *SG* (VGRC605)	1	EA	
Not Shown	C9001815VB	LOWER ACC PAN - *VB* (VGRC605)	1	EA	NO LONGER AVAILABLE
Not Shown	C9001815WH	LOWER ACC PAN - *WH* (VGRC605)	1	EA	
4	PC030017	4" LEG ASSY	1	EA	



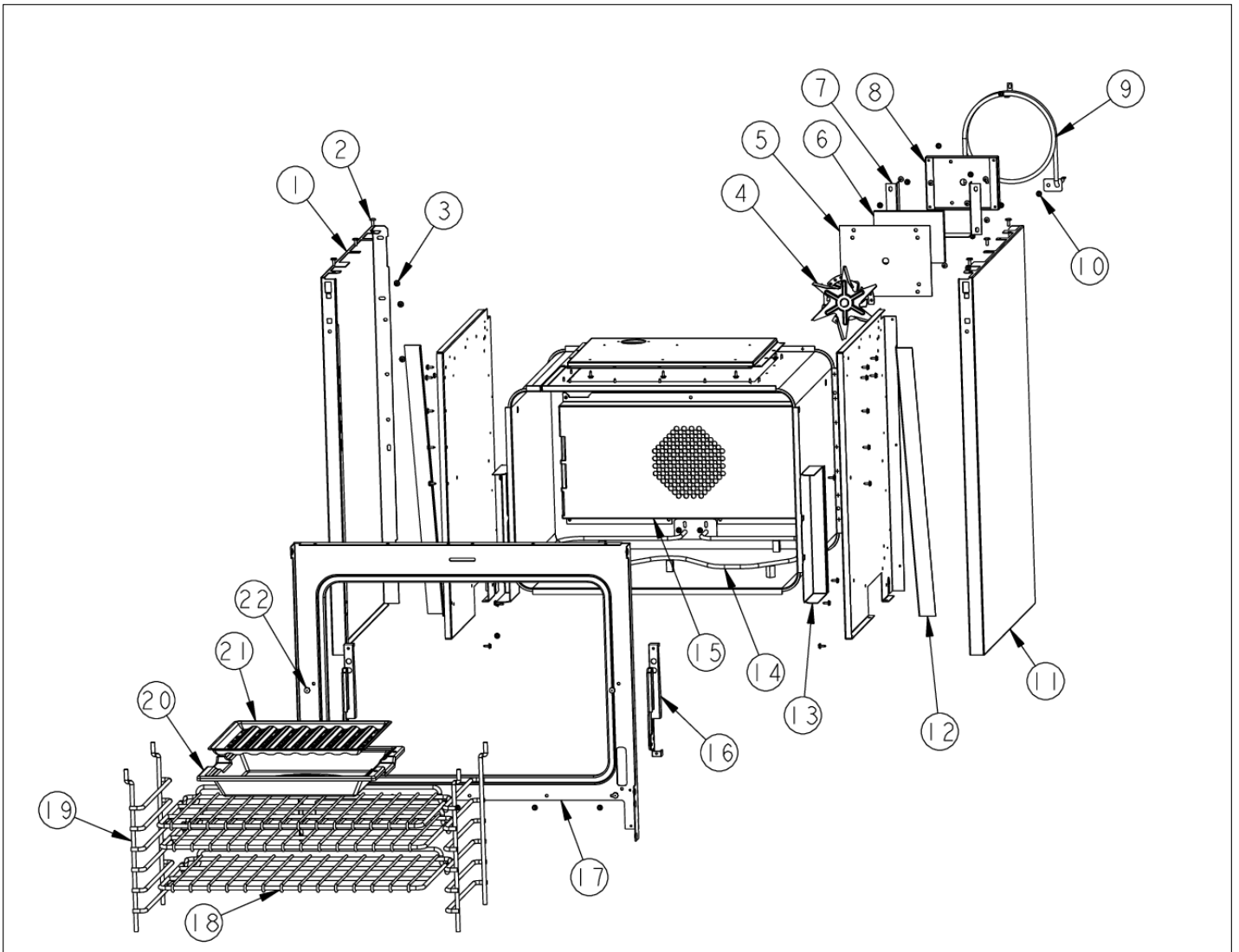


Item	Part No.	Name	Qty	Uom	NOTES
5	PD020003	#10 X 1/2 T(A) HEX WASHER HEAD	1	EA	
NI	19497-000	30" CURB BASE KIT	1	EA	Not available online / Call for pricing and availability

MAIN OVEN CAVITY

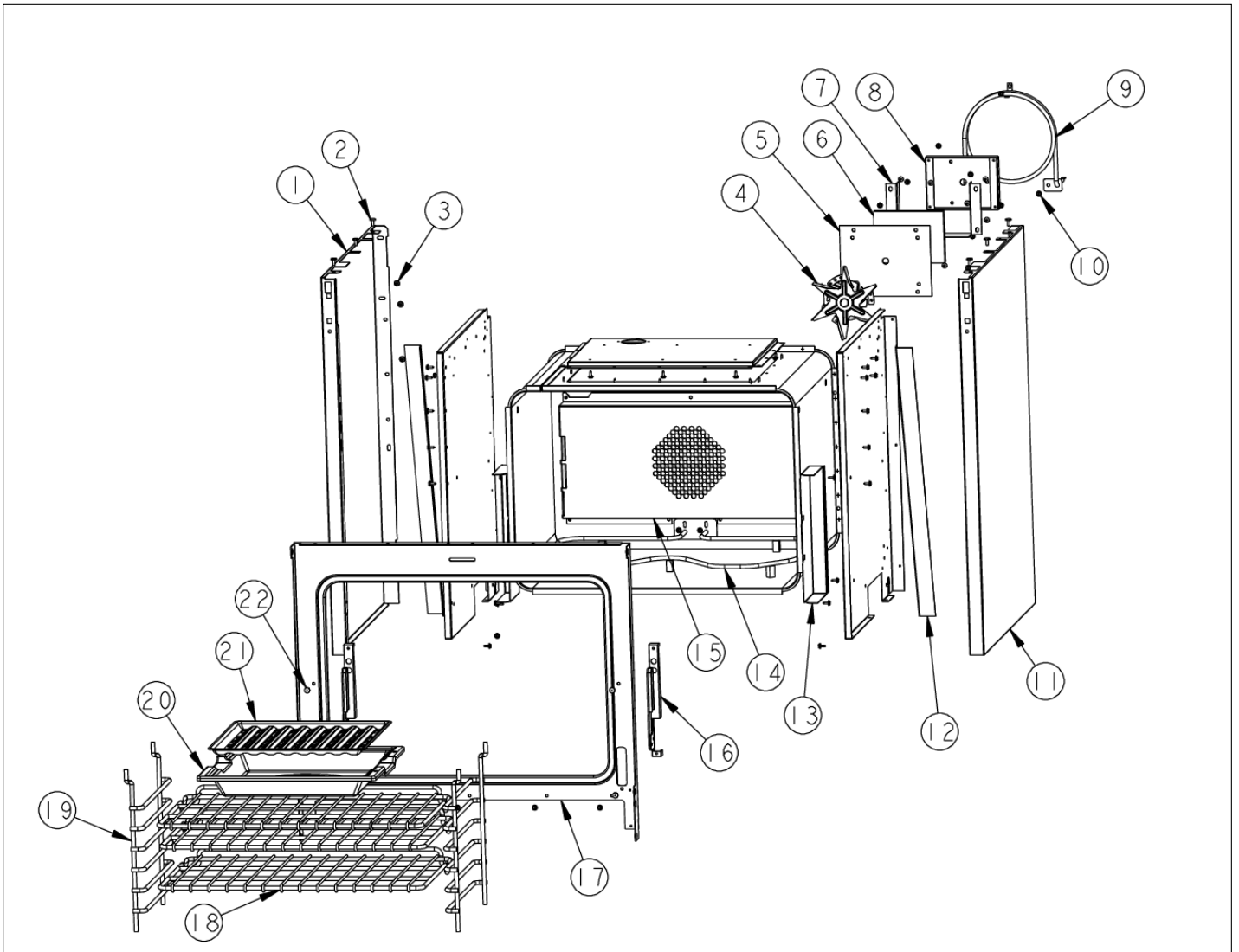


Item	Part No.	Name	Qty	Uom	NOTES
1	B2002598	O/S BODY PANEL LH (SS)	1	EA	
Not Shown	C9002598AL	BODY PNL LH 30'REPL C9001922AL	1	EA	NO LONGER AVAILABLE, Not available online / Call for pricing and availability
Not Shown	C9002598BK	BODY PNL LH 30'REPL C9001922BK	1	EA	
Not Shown	C9002598BT	O/S BODY PANEL-LH *BT* (VDSC)	1	EA	NO LONGER AVAILABLE
Not Shown	C9002598BU	BODY PNL LH 30'REPL C9001922BU	1	EA	
Not Shown	C9002598CB	O/S BODY PANEL-LH *CB* (VDSC)	1	EA	Not available online / Call for pricing and availability
Not Shown	C9002598EP	O/S BODY PANEL-LH *EP* (VDSC)	1	EA	NO LONGER AVAILABLE, Not available online / Call for pricing and availability
Not Shown	C9002598FG	BODY PNL LH 30'REPL C9001922FG	1	EA	NO LONGER AVAILABLE, Not available online / Call for pricing and availability
Not Shown	C9002598GG	BODY PNL LH 30'REPL C9001922GG	1	EA	Not available online / Call for pricing and availability
Not Shown	C9002598LE	O/S BODY PANEL-LH *LE* (VDSC)	1	EA	NO LONGER AVAILABLE, Not available online / Call for pricing and availability
Not Shown	C9002598MJ	O/S BODY PANEL-LH *MJ* (VDSC)	1	EA	NO LONGER AVAILABLE
Not Shown	C9002598SG	O/S BODY PANEL-LH *SG* (VDSC)	1	EA	NO LONGER AVAILABLE, Not available online / Call for pricing and availability
Not Shown	C9002598VB	BODY PNL LH 30'REPL C9001922VB	1	EA	NO LONGER AVAILABLE, Not available online / Call for pricing and availability
Not Shown	C9002598WH	BODY PNL LH 30'REPL C9001922WH	1	EA	
2	PD020033	SRW #10-24 X 1/2" T (23) PH WFR HD (NKL)	1	EA	





Item	Part No.	Name	Qty	Uom	NOTES
3	PD020002	10 X 1/2 PH.TR.HD.SMS.	1	EA	
4	PE050005	CONVECTION FAN ASSY	1	EA	
5	A1002596	CONVECTION FAN COVER (VDSC)	1	EA	
6	PB070208	CONVECTION FAN INSULATION	1	EA	
7	A2008440	ALL SIDE FAN INSULATION SHIELD	1	EA	NO LONGER AVAILABLE, Not available online / Call for pricing and availability
8	A2002595	CONVECTION FAN BOX (VDSC)	1	EA	
9	PJ010003	CONVECTION ELEMENT (VDSC) 240V	1	EA	
10	PD020003	#10 X 1/2 T(A) HEX WASHER HEAD	1	EA	
11	B2002597	O/S BODY PANEL - RH (SS)	1	EA	
Not Shown	C9002597AL	O/S BODY PANEL-RH *AL* (VDSC)	1	EA	NO LONGER AVAILABLE, Not available online / Call for pricing and availability
Not Shown	C9002597BK	BODY PNL RH BK REPL C9001921BK	1	EA	
Not Shown	C9002597BT	O/S BODY PANEL-RH *BT* (VDSC)	1	EA	NO LONGER AVAILABLE
Not Shown	C9002597BU	BODY PNL RH BU REPL C9001921BU	1	EA	Not available online / Call for pricing and availability
Not Shown	C9002597CB	O/S BODY PANEL-RH *CB* (VDSC)	1	EA	NO LONGER AVAILABLE
Not Shown	C9002597EP	O/S BODY PANEL-RH *EP* (VDSC)	1	EA	NO LONGER AVAILABLE
Not Shown	C9002597FG	BODY PNL RH FG REPL C9001921FG	1	EA	NO LONGER AVAILABLE, Not available online / Call for pricing and availability
Not Shown	C9002597GG	BODY PNL RH GG REPL C9001921GG	1	EA	Not available online / Call for pricing and availability
Not Shown	C9002597LE	O/S BODY PANEL-RH *LE* (VDSC)	1	EA	
Not Shown	C9002597MJ	O/S BODY PANEL-RH *MJ* (VDSC)	1	EA	NO LONGER AVAILABLE

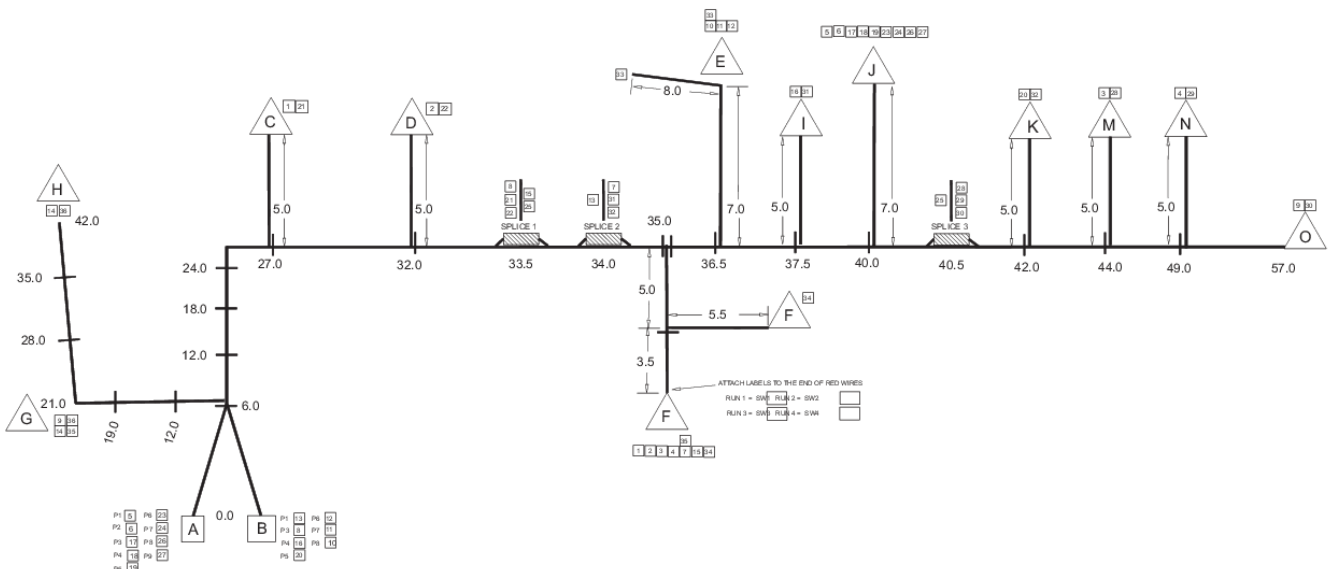




Item	Part No.	Name	Qty	Uom	NOTES
Not Shown	C9002597SG	O/S BODY PANEL-RH *SG* (VDSC)	1	EA	NO LONGER AVAILABLE, Not available online / Call for pricing and availability
Not Shown	C9002597VB	BODY PNL RH VB REPL C9001921VB	1	EA	
Not Shown	C9002597WH	BODY PNL RH WH REPL C9001921WH	1	EA	
12	A2002475	SIDE PANEL DIVERTER (VDSC)	1	EA	NO LONGER AVAILABLE
13	A2002183	HINGE INSULATION COVER (VDSC)	1	EA	
14	PJ010004	BAKE ELEMENT (VDSC) 240V	1	EA	
15	E9102170	CONVECTION FAN COVER	1	EA	
16	PC020009	HINGE ASSY (BROWN)	1	EA	
17	G9102743	OVEN FRONT FRAME ASSY (VDSC30)	1	EA	Not available online / Call for pricing and availability
18	PB060044	OVEN RK VDSC30/48RH REPL PB060019	1	EA	
19	PB060030	RACK SUPT REPL PB060010	1	EA	
20	E9107933	BROILER PAN	1	EA	
21	E9107934	BROILER PAN INSERT - NLA	1	EA	
22	PD020014	10X3/4 PH TR HD SMS	1	EA	

PE070811 WIRE HARNESS

1

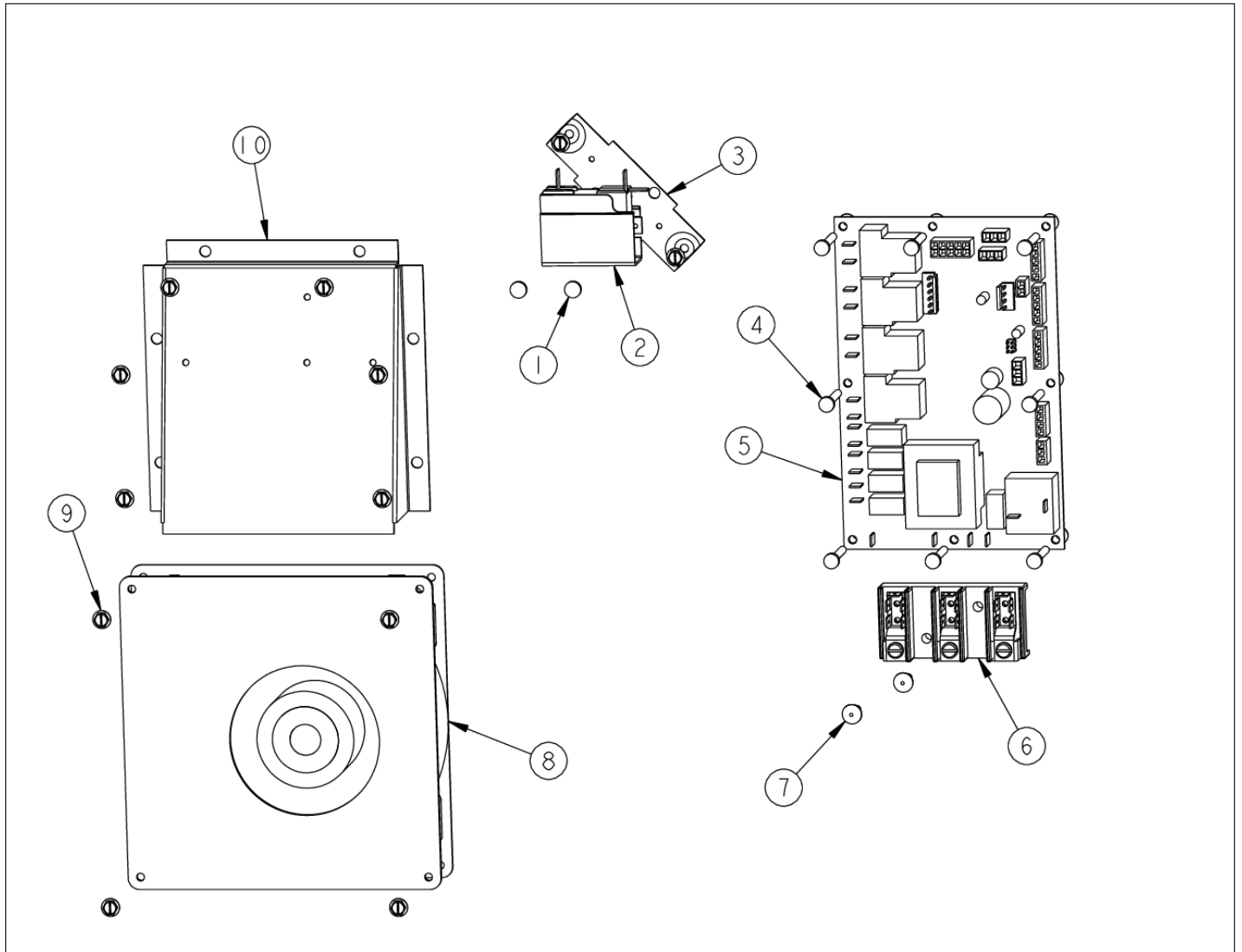


NOTE: P1 REPRESENTS CIRCUIT 1 OF CONNECTORS.
USE CIRCUIT 1 INDICATOR ON CONNECTORS.



Item	Part No.	Name	Qty	Uom	NOTES
1	PE070811	VDSC307/305 WIRE HARNESS	1	EA	NO LONGER AVAILABLE, Not available online / Call for pricing and availability

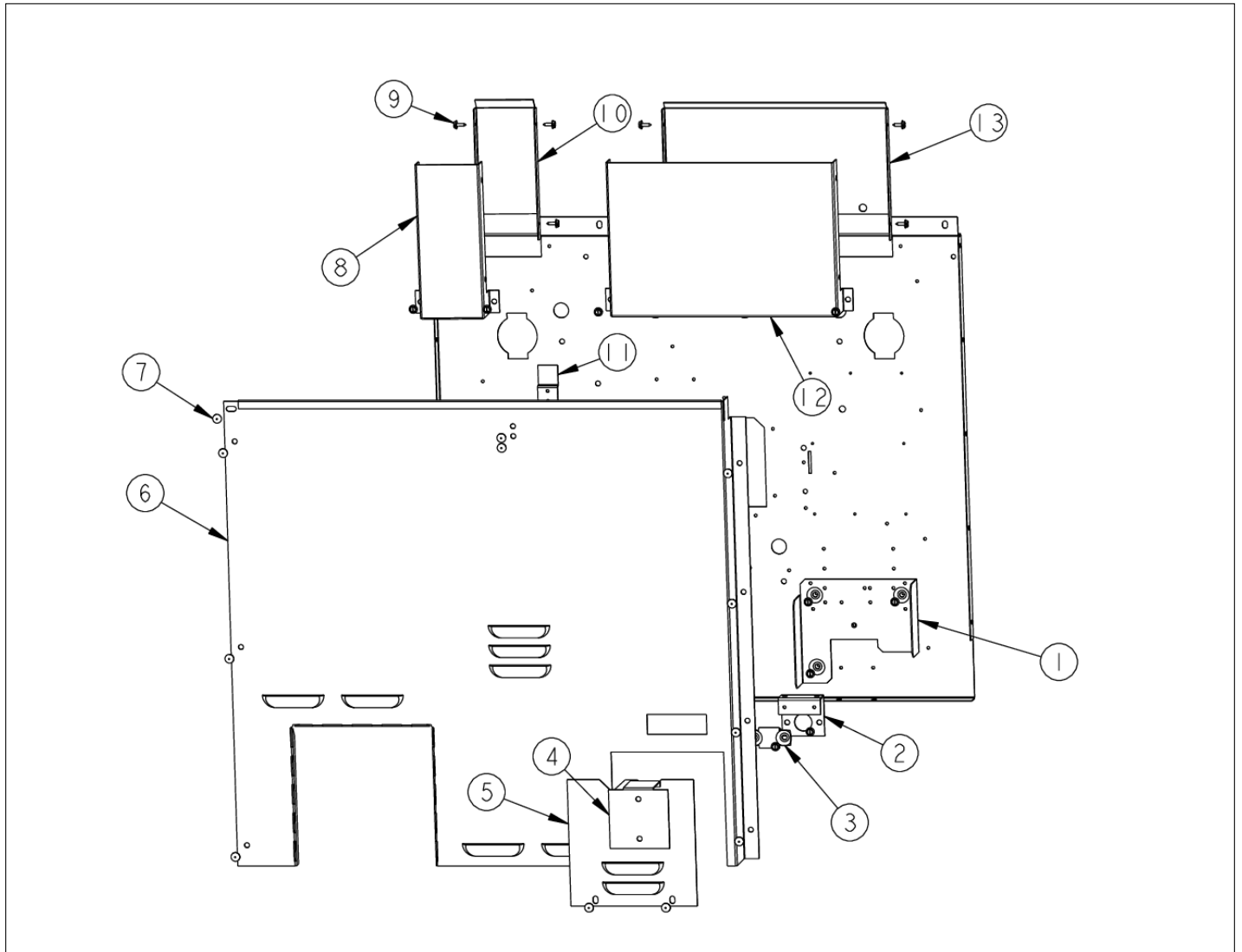
REAR ELECTRONICS





Item	Part No.	Name	Qty	Uom	NOTES
1	PD020044	#8-32 X 1/4" PH. TR. HD. M.S.	1	EA	
2	PJ030002	AUTO RESET (SELF-CLEAN) VDSC	1	EA	
3	A1002456	THERMO-DISC BRKT (VDSC)	1	EA	
4	PD020053	#8 X 1 1/2 HEX WASHER HEAD SMS(VERT	1	EA	
5	PE070786	ELECTRONIC CONTROL BOARD	1	EA	
6	PE070147	TERMINAL BLOCK (VDSC)	1	EA	
7	PD020014	10X3/4 PH TR HD SMS	1	EA	
8	PE050026	COOLING FAN (VDSC)	1	EA	
9	PD020003	#10 X 1/2 T(A) HEX WASHER HEAD	1	EA	
10	A2002180	COOLING FAN HOUSING (VDSC)	1	EA	NO LONGER AVAILABLE

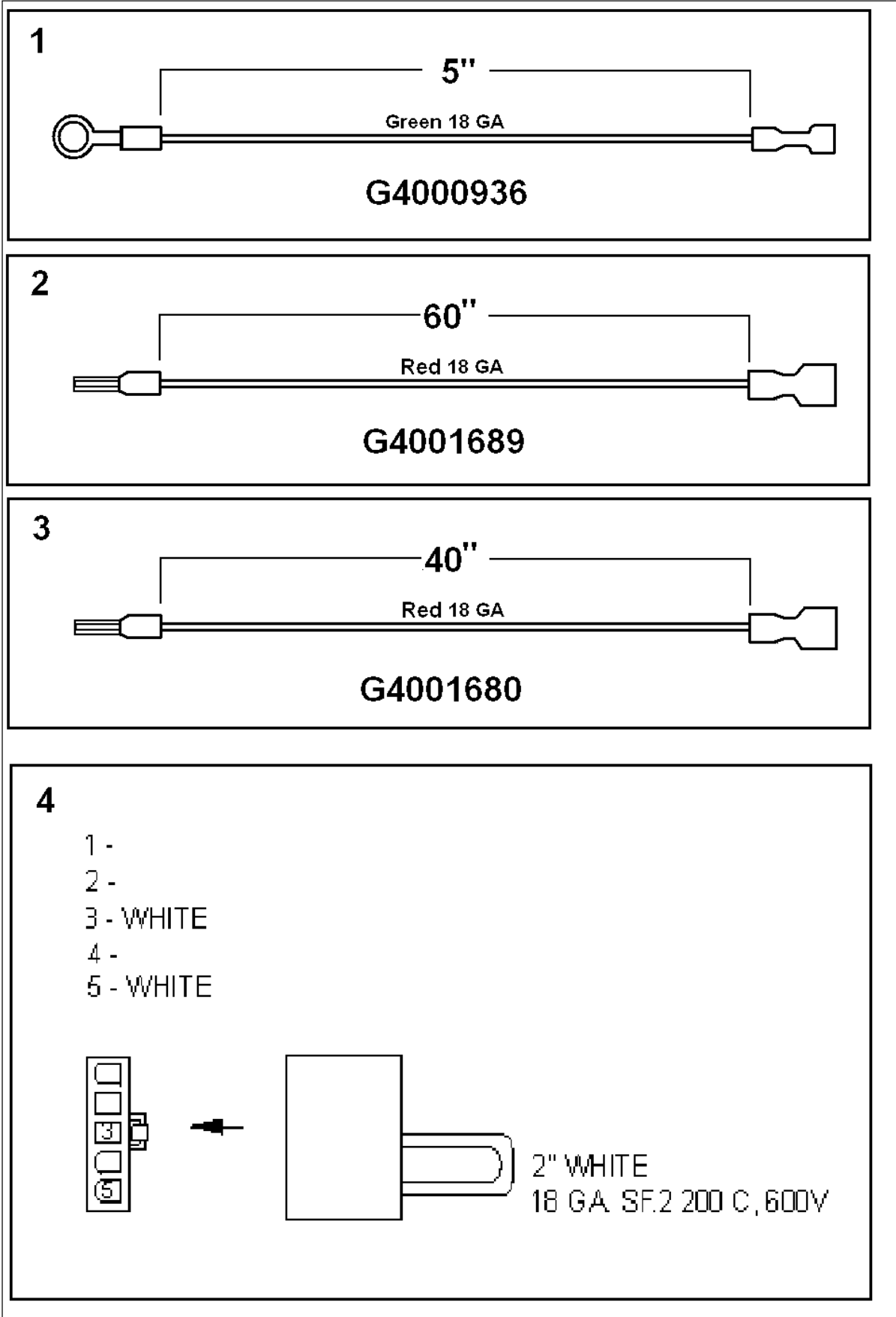
REAR SHEET METAL AND FLUE AREA





Item	Part No.	Name	Qty	Uom	NOTES
1	A2002193	ELECTRICAL MOUNTING BRKT (VDSC)	1	EA	NO LONGER AVAILABLE
2	A2002195	POWER CORD MOUNTING BRKT (VDSC)	1	EA	
3	A1002457	POWER CORD MOUNTING STRAP (VDSC)	1	EA	
4	A2002654	ANTI-TIP DEVICE (VDSC)	1	EA	
5	A2002454	BACK, COVER ACCESS DOOR	1	EA	
6	A2004297	UPPER BACK COVER (VDSC305)	1	EA	NO LONGER AVAILABLE
7	PD020002	10 X 1/2 PH.TR.HD.SMS.	1	EA	
8	A2002484	AIR FLUE (VDSC)	1	EA	NO LONGER AVAILABLE, Not available online / Call for pricing and availability
9	PD020003	#10 X 1/2 T(A) HEX WASHER HEAD	1	EA	
10	A2002483	AIR FLUE (VDSC)	1	EA	NO LONGER AVAILABLE, Not available online / Call for pricing and availability
11	A2005735	BACKGUARD SUPPORT BRACKET	1	EA	
12	A2002486	AIR FLUE (LARGE-BACK) VDSC	1	EA	NO LONGER AVAILABLE, Not available online / Call for pricing and availability
13	A2002485	AIR FLUE (LARGE-FRONT) VDSC	1	EA	NO LONGER AVAILABLE, Not available online / Call for pricing and availability

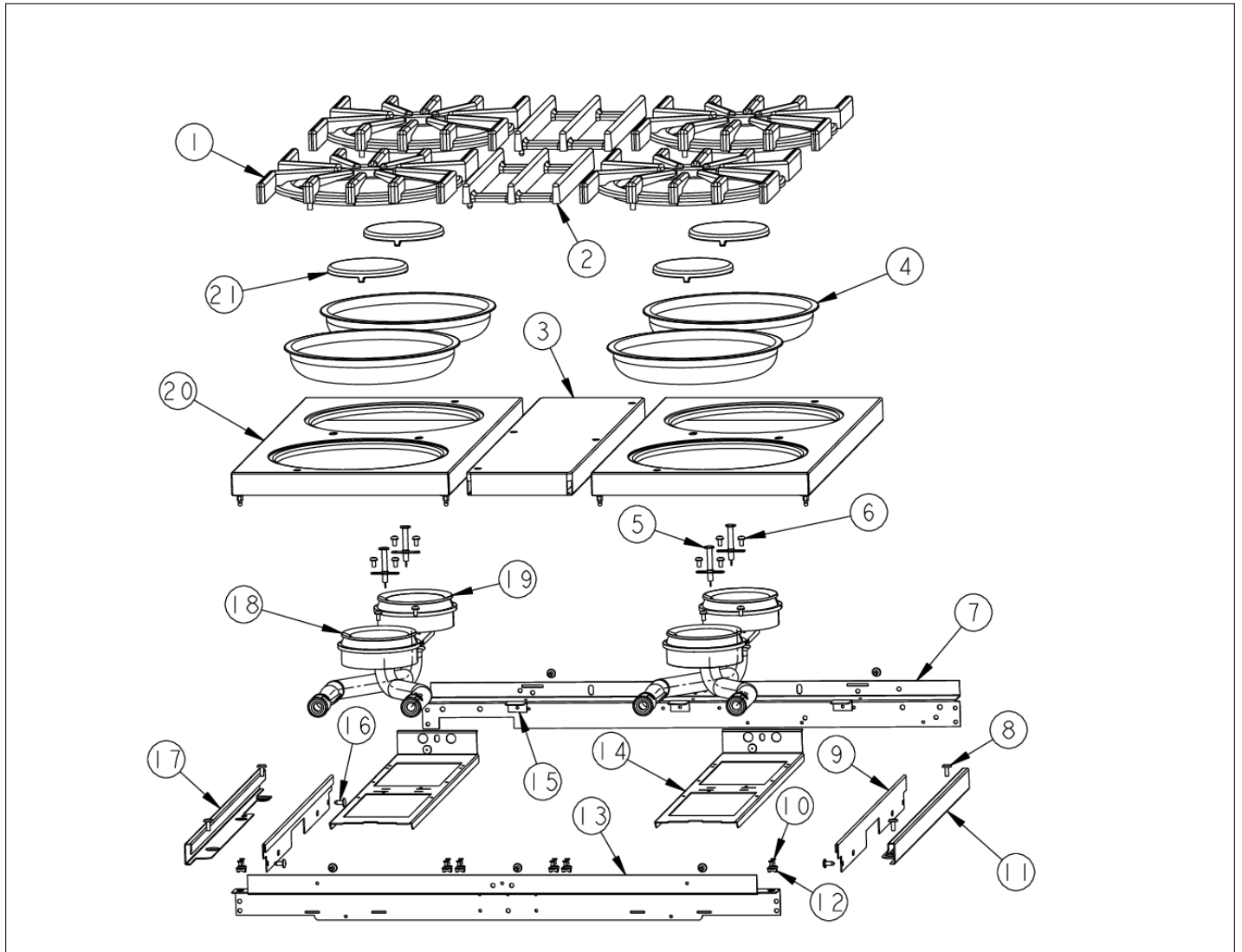
SINGLE WIRING





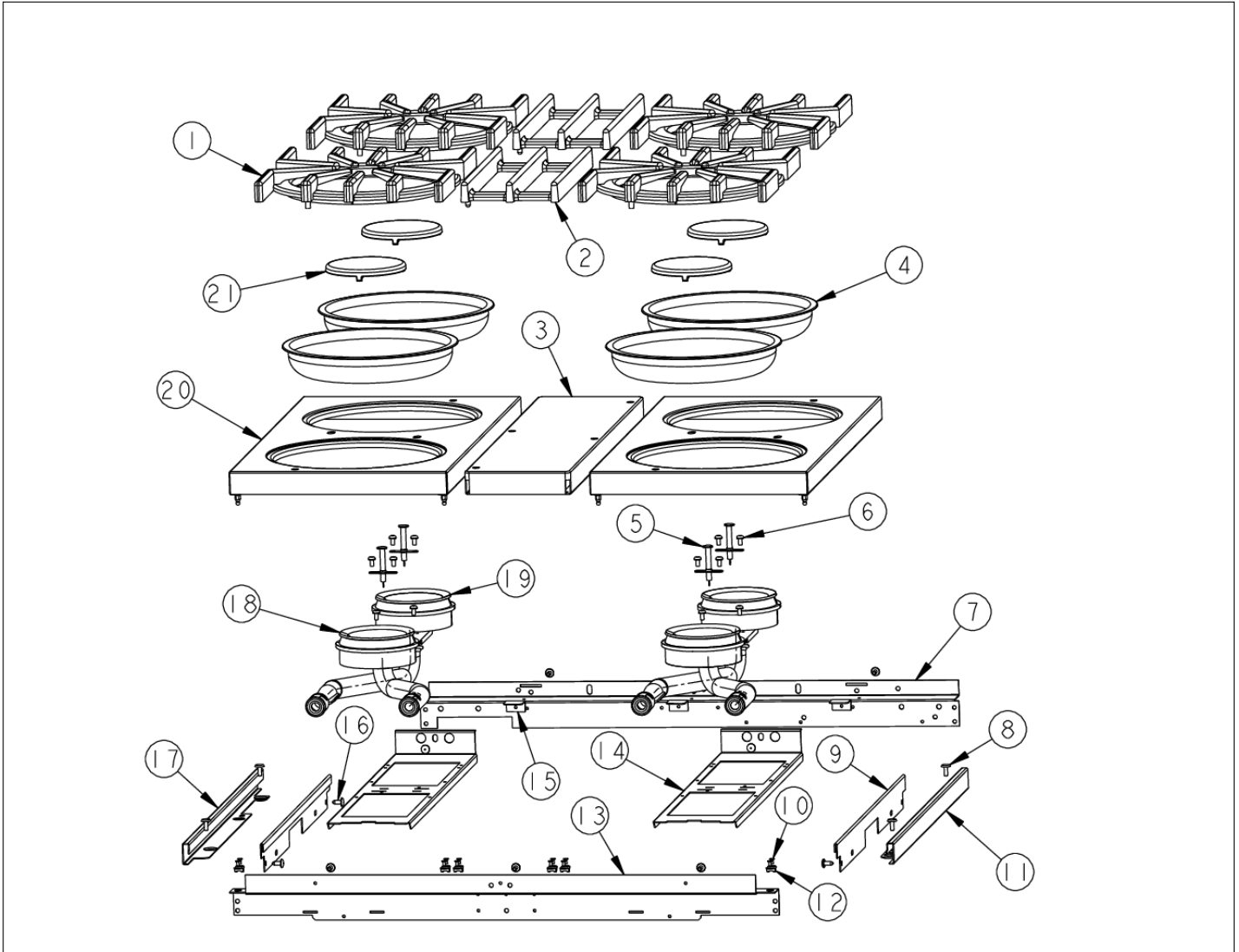
Item	Part No.	Name	Qty	Uom	NOTES
1	G4000936	GROUND WIRE	1	EA	
2	G4001689	WIRE, SPRK MDLE-TOP BRNR VLVE SWITCH (60)	1	EA	
3	G4001680	WIRE, SPRK MDLE-TOP BRNR VLVE SWITCH (40)	1	EA	
4	PE070536	SINGLE OVEN JUMPER	1	EA	NO LONGER AVAILABLE

SURFACE COOKING AREA



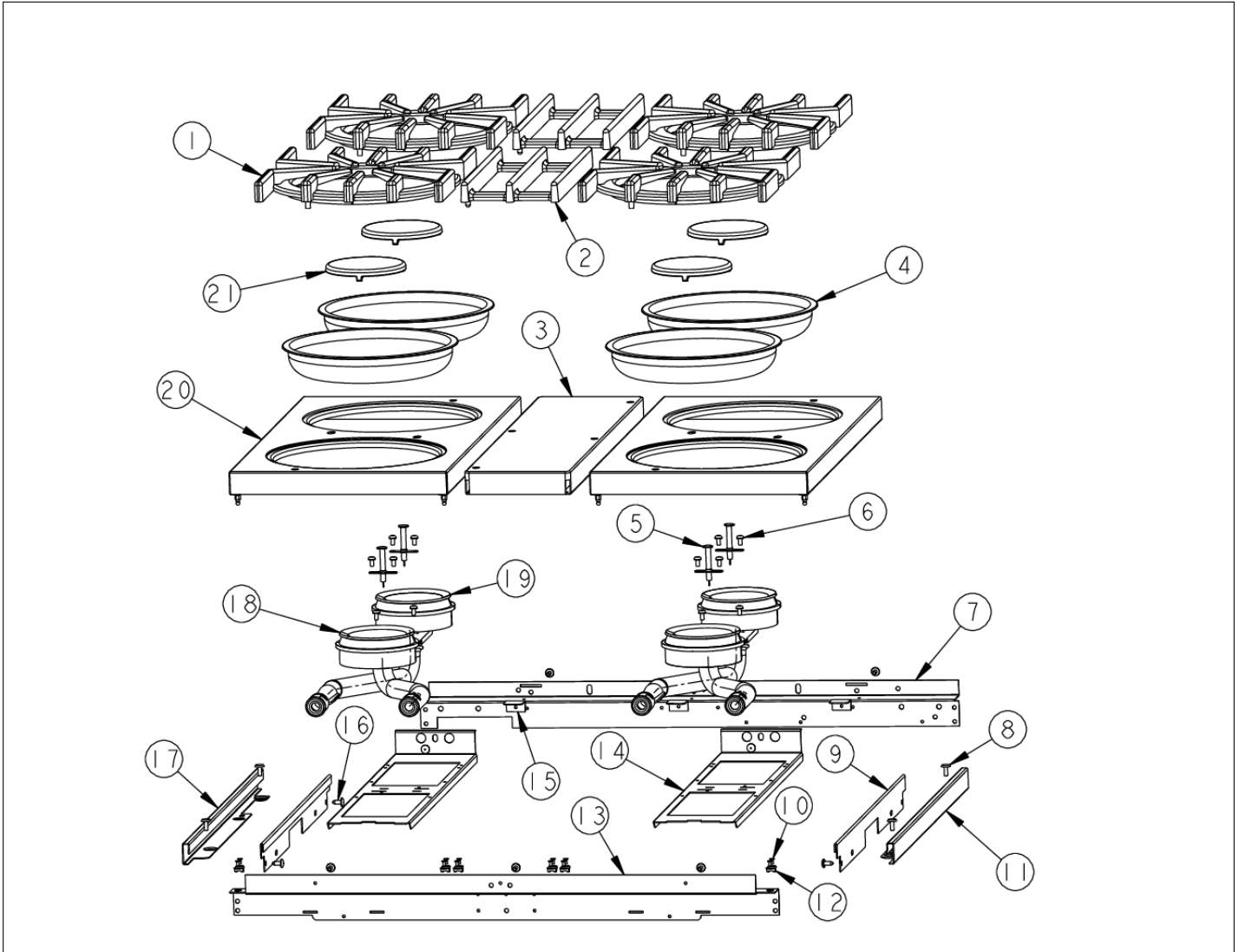


Item	Part No.	Name	Qty	Uom	NOTES
1	PA060037	GRATE BK REPL PA060024 (GEN.#2)	1	EA	
Not Shown	PA060038	GRAY GRATES	1	EA	
2	PA060049	CENTER GRATE - MATT BK	1	EA	
Not Shown	PA060050	CENTER GRATE - MATT GRAY	1	EA	
3	E9104416AL	CENTER WORK SPACE - AL	1	EA	Not available online / Call for pricing and availability
Not Shown	E9104416BK	CENTER SPACER (VGSC306) *BK*	1	EA	
Not Shown	E9104416BT	CENTER WORK SPACE - BT	1	EA	Not available online / Call for pricing and availability
Not Shown	E9104416CB	CENTER SPACER (VGSC306) *CB*	1	EA	NO LONGER AVAILABLE
Not Shown	E9104416EP	CENTER WORK SPACE - EP	1	EA	Not available online / Call for pricing and availability
Not Shown	E9104416FG	CENTER WORK SPACE - FG	1	EA	Not available online / Call for pricing and availability
Not Shown	E9104416GG	CENTER WORK SPACE - GG	1	EA	Not available online / Call for pricing and availability
Not Shown	E9104416LE	CENTER WORK SPACE - LE	1	EA	Not available online / Call for pricing and availability
Not Shown	E9104416MJ	CENTER WORK SPACE - MJ	1	EA	Not available online / Call for pricing and availability
Not Shown	E9104416SG	CENTER WORK SPACE - SG	1	EA	Not available online / Call for pricing and availability
Not Shown	E9104416VB	CENTER WORK SPACE - VB	1	EA	Not available online / Call for pricing and availability
Not Shown	E9104416WH	CENTER SPACER (VGSC306) *WH*	1	EA	



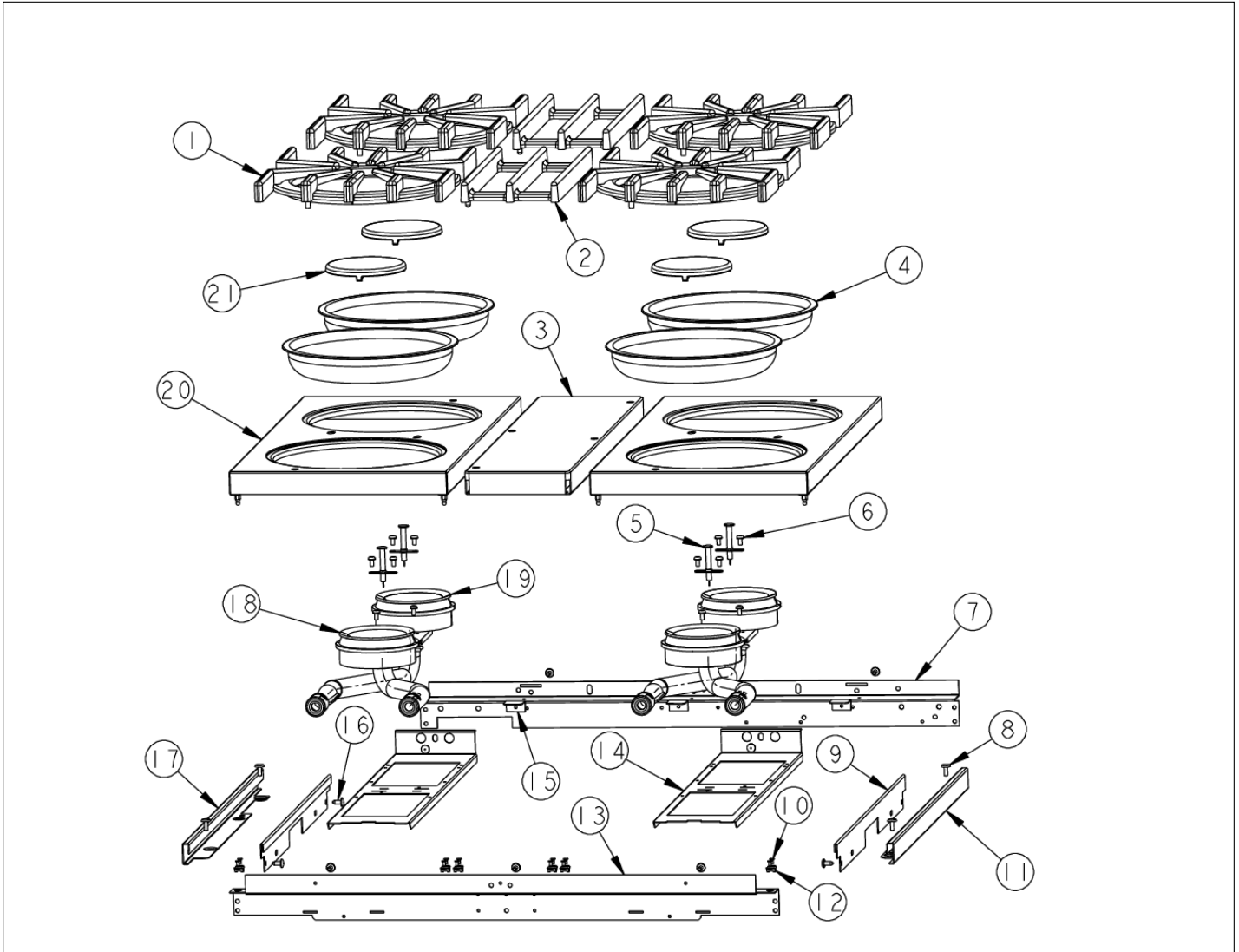


Item	Part No.	Name	Qty	Uom	NOTES
4	PA030002AL	BURNER BOWL - AL (FOR USE WITH UPGRADE KIT) NLA	1	EA	
Not Shown	PA030002BK	BURNER BOWL (VGRT) **BK**	1	EA	
Not Shown	PA030002BT	BURNER BOWL - BT NLA	1	EA	
Not Shown	PA030002CB	BURNER BOWL - CB NLA	1	EA	
Not Shown	PA030002EP	BURNER BOWL - EP NLA	1	EA	
Not Shown	PA030002FG	BURNER BOWL - FG (FOR USE WITH UPGRADE KIT) NLA	1	EA	
Not Shown	PA030002GG	BURNER BOWL - GG NLA	1	EA	
Not Shown	PA030002LE	BURNER BOWL - LE NLA	1	EA	
Not Shown	PA030002MJ	BURNER BOWL (VGRT) **MJ** NLA	1	EA	
Not Shown	PA030002SG	BURNER BOWL - SG NLA	1	EA	
Not Shown	PA030002VB	BURNER BOWL (VGRT) **VB** NLA	1	EA	
Not Shown	PA030002WH	BURNER BOWL (VGRT) **WH**	1	EA	
5	PA020028	SPARK IGNITER	1	EA	
6	PD020004	10X3/8PH.HD.TYPE 25 REPL PD040125	1	EA	
7	A2002364	REAR BURNER SUPT VGSC/SS30	1	EA	
8	PD020033	SRW #10-24 X 1/2" T (23) PH WFR HD (NKL)	1	EA	
9	A2002343	GRATE SUPT HEAT SHIELD (VGR)	1	EA	NO LONGER AVAILABLE
10	PC040010	POP RIVET (.063/GR -.125) GAMD42-A	1	EA	
11	B2002345	SIDE TRIM - RH (VGSS)	1	EA	
Not Shown	C9302345BR	SIDE TRIM - RH (VGSS) *BR*	1	EA	
12	PD010016	BALL STUD FASTEN	1	EA	
13	A2001404	FRONT BURNER HOLDER (VGSS)	1	EA	NO LONGER AVAILABLE
14	A2001112	BURNER SUPT (VGRT)	1	EA	





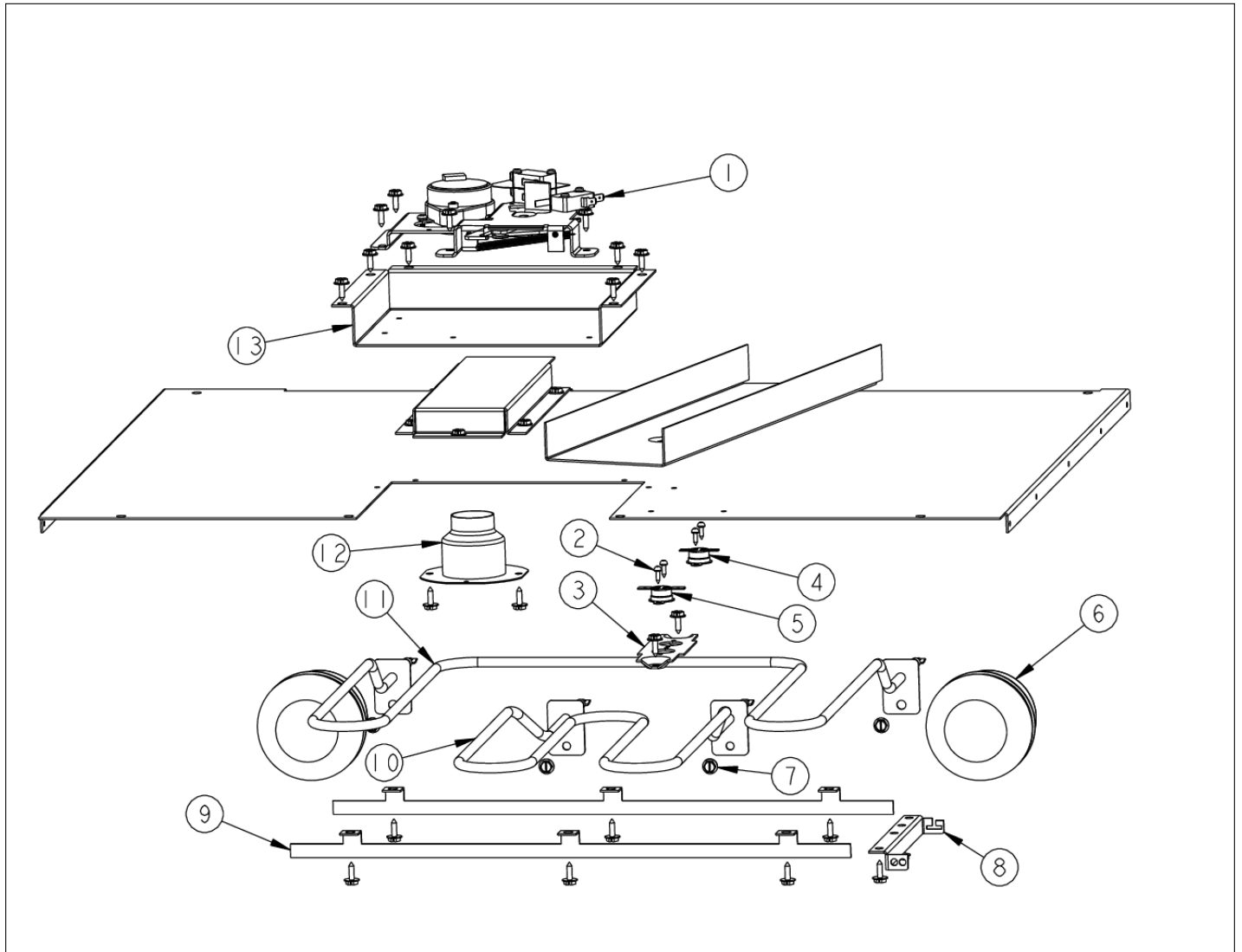
Item	Part No.	Name	Qty	Uom	NOTES
15	A2001147	GRATE SUPT ANGLE (VGRT)	1	EA	
16	PD020002	10 X 1/2 PH.TR.HD.SMS.	1	EA	
17	B2002346	SIDE TRIM - LH (VGSS)	1	EA	
Not Shown	C9302346BR	SIDE TRIM - LH (VGSS) *BR*	1	EA	Not available online / Call for pricing and availability
18	PA080037	TOP BURNER FRONT REPL PA080007	1	EA	
19	PA080036	TOP BURNER REAR REPL PA080008	1	EA	
20	G50013584AL	GRATE SUPPORT - AL	1	EA	
Not Shown	G50013584BK	GRATE SUPPORT SERVICE KIT (BK)	1	EA	
Not Shown	G50013584BT	GRATE SUPPORT SERVICE KIT (BT) - NLA	1	EA	NO LONGER AVAILABLE
Not Shown	G50013584CB	GRATE SUPPORT ASSEMBLY - CB	1	EA	Not available online / Call for pricing and availability
Not Shown	G50013584EP	GRATE SUPPORT ASSEMBLY - EP	1	EA	Not available online / Call for pricing and availability
Not Shown	G50013584FG	GRATE SUPPORT - FG	1	EA	Not available online / Call for pricing and availability
Not Shown	G50013584GG	GRATE SUPPORT ASSEMBLY - GG	1	EA	
Not Shown	G50013584LE	GRATE SUPPORT ASSEMBLY - LE	1	EA	Not available online / Call for pricing and availability
Not Shown	G50013584MJ	GRATE SUPPORT ASSEMBLY - MJ	1	EA	Not available online / Call for pricing and availability
Not Shown	G50013584SG	GRATE SUPPORT ASSEMBLY - SG	1	EA	Not available online / Call for pricing and availability
Not Shown	G50013584VB	GRATE SUPPORT - VB	1	EA	
Not Shown	G50013584WH	GRATE SUPPORT SERVICE KIT (WH)	1	EA	
21	PA080015	BURNER CAP-VGRT *BK*	1	EA	





Item	Part No.	Name	Qty	Uom	NOTES
Not Shown	PA080016	BURNER CAP-VGRT (GRAY-MATT)	1	EA	

UPPER OVEN CAVITY

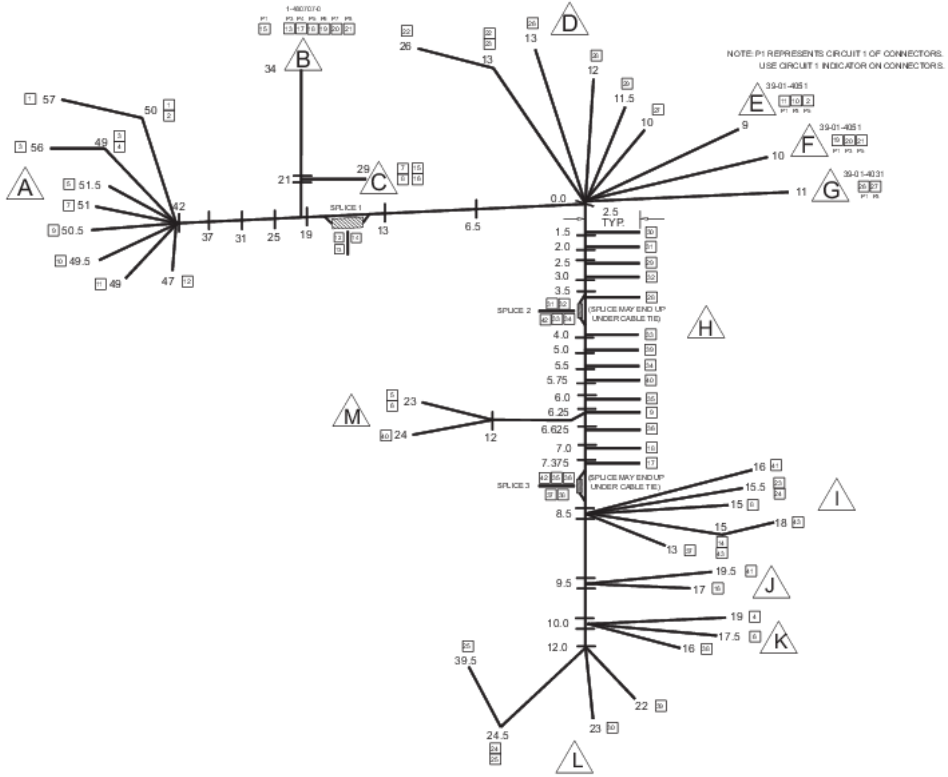




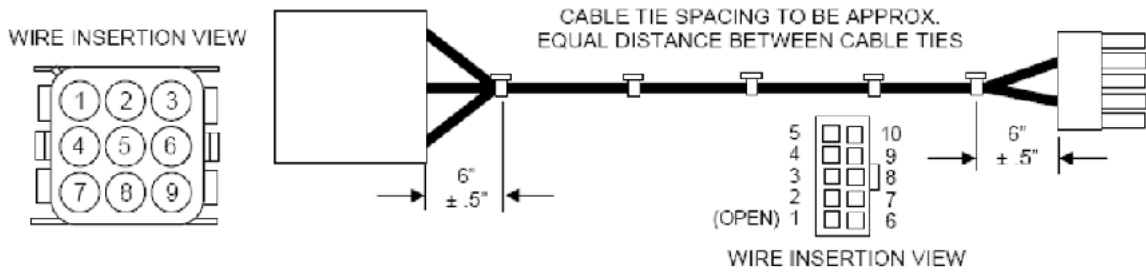
Item	Part No.	Name	Qty	Uom	NOTES
1	PE050053	DR LATCH REPL PE050020	1	EA	
2	PD020013	TYPE "AB" #6 X 3/8 PH PAN HD. SMS	1	EA	
3	A10014918	THERMODISC BRACKET	1	EA	Not available online / Call for pricing and availability
4	PJ030006	SWITCH (COOLING FAN)	1	EA	
5	PJ030005	SWITCH (HIGH-LIMIT) VDSC	1	EA	
6	031449-000	LAMP, ASM	1	EA	
7	PD020003	#10 X 1/2 T(A) HEX WASHER HEAD	1	EA	
8	B20012039	THERMAL BULB BRACKET	1	EA	Not available online / Call for pricing and availability
9	B20012072	BROILER ELEMENT BRACKET	1	EA	NO LONGER AVAILABLE
10	PJ010001	BROIL ELEMENT 240V	1	EA	
11	PJ010002	BROIL ELEMENT(MAXI)-SIDE (VDSC)240V	1	EA	
12	PM010014	SMOKE ELIMINATOR (VDSC)	1	EA	
13	A2002168	DOOR LATCH BRKT (VDSC)	1	EA	
NI	A20015409	DOOR LOCK AIR DIVERTER	1	EA	

WIRE HARNESSES 1

1



2

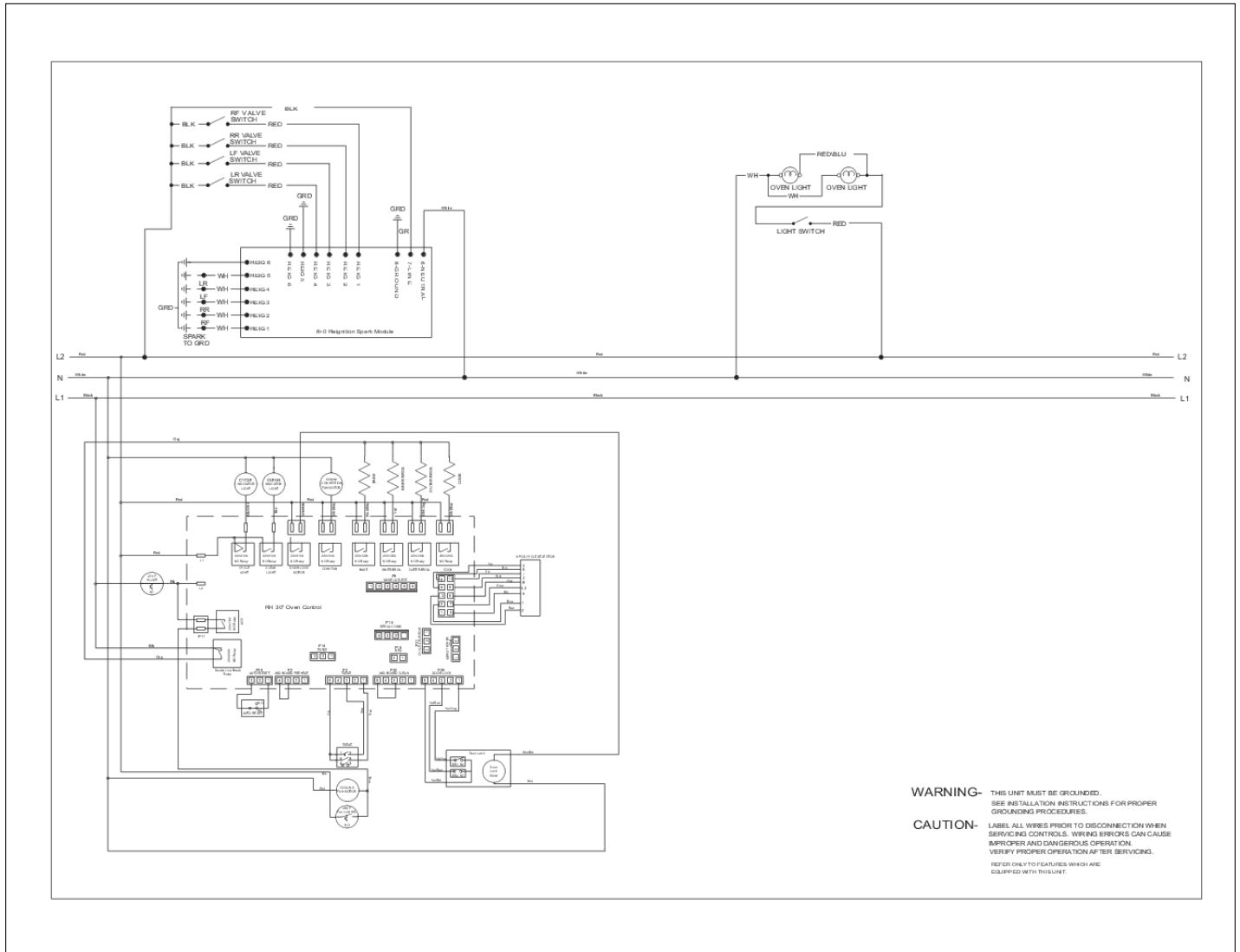




Item	Part No.	Name	Qty	Uom	NOTES
1	PE070781	RH MAIN OVEN HARNESS	1	EA	
2	PE070780	RH REAR SELECTOR HARNESS	1	EA	



WIRING DIAGRAM



WARNING- THIS UNIT MUST BE GROUNDED. SEE INSTALLATION INSTRUCTIONS FOR PROPER GROUNDED PROCEDURES.

CAUTION- LABEL ALL WIRES PRIOR TO DISCONNECTION WHEN SERVICING CONTROLS. WIRING ERRORS CAN CAUSE IMPROPER AND DANGEROUS OPERATION. VERIFY PROPER OPERATION AFTER SERVICING. REFER ONLY TO FEATURES WHICH ARE EQUIPPED WITH THIS UNIT.



Appendix A:Pages Index

BACKGUARD ASSEMBLY 1
BURNER BOX SUBASSEMBLY 2
CONTROL AREA 3
DOOR ASSEMBLY 4
DRIP TRAY 5
G4002385 WIRE HARNESS 6
IGNITER WIRE KIT 7
LOWER UNIT AREA 8
MAIN OVEN CAVITY 9
PE070811 WIRE HARNESS 10
REAR ELECTRONICS 11
REAR SHEET METAL AND FLUE AREA 12
SINGLE WIRING 13
SURFACE COOKING AREA 14
UPPER OVEN CAVITY 15
WIRE HARNESSES 1 16
WIRING DIAGRAM 17



Appendix B:Parts Index

000268-000	4	A2002485	12
000594-000	4	A2002486	12
000623-000	4	A2002490	2
002156-000	3	A2002491	2
003515-000	3	A2002493	2
031449-000	15	A2002497	4
050172-000	3	A2002498	4
19497-000	8	A2002499	4
A1001138	3	A2002595	9
A10014918	15	A2002654	12
A10016219	2	A2004294	8
A1002456	11	A2004297	12
A1002457	12	A2005735	12
A1002596	9	A2007943	4
A1006344	2	A2008440	9
A2000210	2	B20012039	15
A20010691	5	B20012072	15
A2001112	14	B2001782	1
A20011246	2	B2001790	1
A2001147	14	B2001815	8
A2001404	14	B2001905	1
A20015409	15	B2002188	4
A20015430	2	B2002345	14
A20016218	2	B2002346	14
A2001799	1	B2002597	9
A2002168	15	B2002598	9
A2002169	4	B3001775	1
A2002180	11	B3001776	1
A2002183	9	B92010453	3
A2002189	4	C9001815AL	8
A2002193	12	C9001815BK	8
A2002195	12	C9001815BT	8
A2002323	2	C9001815BU	8
A2002343	14	C9001815CB	8
A2002364	14	C9001815EP	8
A2002367	4	C9001815FG	8
A2002454	12	C9001815GG	8
A2002475	9	C9001815LE	8
A2002483	12	C9001815MJ	8
A2002484	12	C9001815SG	8
		C9001815VB	8



C9001815WH	8	C9302346BR	14
C9002188AL	4	E9102170	9
C9002188BK	4	E9104416AL	14
C9002188BT	4	E9104416BK	14
C9002188BU	4	E9104416BT	14
C9002188CB	4	E9104416CB	14
C9002188EP	4	E9104416EP	14
C9002188FG	4	E9104416FG	14
C9002188GG	4	E9104416GG	14
C9002188LE	4	E9104416LE	14
C9002188MJ	4	E9104416MJ	14
C9002188SG	4	E9104416SG	14
C9002188VB	4	E9104416VB	14
C9002188WH	4	E9104416WH	14
C9002597AL	9	E9107933	9
C9002597BK	9	E9107934	9
C9002597BT	9	G30010454	5
C9002597BU	9	G30010695	5
C9002597CB	9	G3001406	3
C9002597EP	9	G3202172AL	4
C9002597FG	9	G3202172ALBR	4
C9002597GG	9	G3202172BK	4
C9002597LE	9	G3202172BKBR	4
C9002597MJ	9	G3202172BT	4
C9002597SG	9	G3202172BTBR	4
C9002597VB	9	G3202172BU	4
C9002597WH	9	G3202172BUBR	4
C9002598AL	9	G3202172CB	4
C9002598BK	9	G3202172CBBR	4
C9002598BT	9	G3202172EP	4
C9002598BU	9	G3202172EPBR	4
C9002598CB	9	G3202172FG	4
C9002598EP	9	G3202172FGBR	4
C9002598FG	9	G3202172GG	4
C9002598GG	9	G3202172GGBR	4
C9002598LE	9	G3202172LE	4
C9002598MJ	9	G3202172LEBR	4
C9002598SG	9	G3202172MJ	4
C9002598VB	9	G3202172MJBR	4
C9002598WH	9	G3202172SG	4
C9302345BR	14	G3202172SGBR	4



G3202172VB	4	PA030002VB	14
G3202172VBBR	4	PA030002WH	14
G3202172WH	4	PA060037	14
G3209181SS	4	PA060038	14
G3209181SSBR	4	PA060049	14
G4000936	13	PA060050	14
G4001680	13	PA070003	3
G4001689	13	PA080015	14
G4002385	6	PA080016	14
G50013584AL	14	PA080036	14
G50013584BK	14	PA080037	14
G50013584BT	14	PB010129	3
G50013584CB	14	PB010130	3
G50013584EP	14	PB010206	3
G50013584FG	14	PB010207	3
G50013584GG	14	PB010209	3
G50013584LE	14	PB010230	3
G50013584MJ	14	PB010231	3
G50013584SG	14	PB060030	9
G50013584VB	14	PB060044	9
G50013584WH	14	PB070076	4
G9102743	9	PB070145	4
G9102745	4	PB070208	9
G9102747	4	PB070268	2
G93011458PVD	5	PC020009	9
J1002594	4	PC030017	8
J2002593	2	PC040010	5, 14
PA010012	3	PD010003	3
PA020028	14	PD010012	3
PA020045	3	PD010016	14
PA020047	2	PD010019	4
PA030002AL	14	PD020002	1, 2, 3, 4, 9, 12, 14
PA030002BK	14	PD020003	2, 8, 9, 11, 12, 15
PA030002BT	14	PD020004	14
PA030002CB	14	PD020006	3
PA030002EP	14	PD020013	15
PA030002FG	14	PD020014	9, 11
PA030002GG	14	PD020032	3
PA030002LE	14	PD020033	1, 4, 9, 14
PA030002MJ	14	PD020044	3, 11
PA030002SG	14	PD020046	3



PD020053	11	PK000007	5
PD020060	8	PK000008	5
PD020079	5	PM010014	15
PD030005	3	PS500033	3
PD030006	4		
PD040004	5		
PD040028	5		
PE010016	4		
PE010017	4		
PE010079	4		
PE010080	4		
PE030001PVD	4		
PE030005	4		
PE030012PVD	4		
PE050005	9		
PE050016	3		
PE050017	3		
PE050023	3		
PE050024	3		
PE050026	11		
PE050053	15		
PE060030	4		
PE060031	4		
PE060039	4		
PE060045	4		
PE060064	4		
PE070147	11		
PE070536	13		
PE070713	7		
PE070780	16		
PE070781	16		
PE070786	11		
PE070811	10		
PJ010001	15		
PJ010002	15		
PJ010003	9		
PJ010004	9		
PJ030001	3		
PJ030002	11		
PJ030005	15		
PJ030006	15		